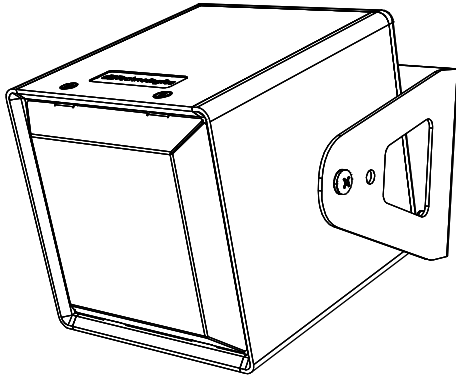
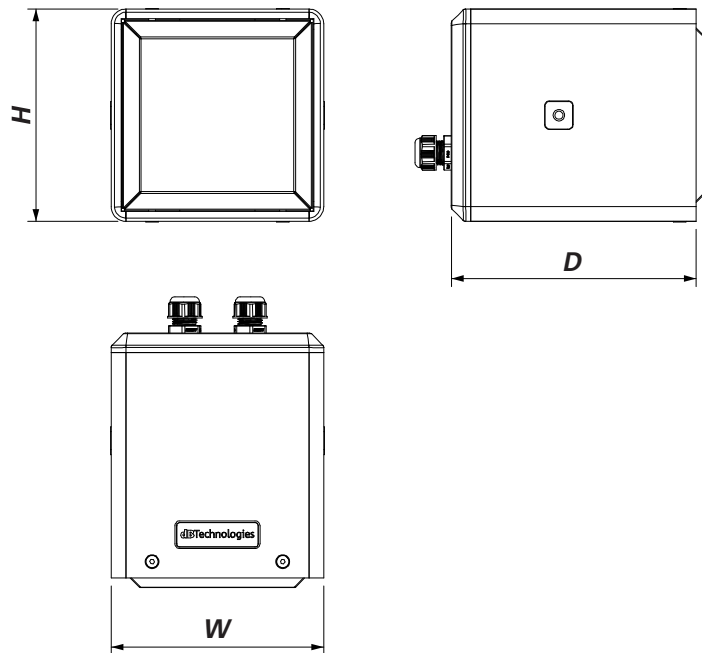


IS.WP

IS4T-WP - IS5T-WP - IS6T-WP



DIMENSIONS



MAIN FEATURES

- Compact dimensions
- Quick installation
- Suitable for indoor and outdoor installations

PACKAGE CONTENTS

The box contains:
 N°1 ISxT-WP speaker
 N°1 wall bracket
 N°2 screw
 N°2 rubber washer
 This quick start and warranty documentation

DESCRIPTION

IS-WP is the new dB Technologies versatile passive speaker series designed with the specific needs of installers in mind for an immediate and user-friendly application. The three cube models available (4", 5", 6.5" woofer respectively) are an optimal solution for indoor and outdoor sound reinforcement with quick installation guaranteed by the included bracket, invisible mounting points, and a IP55 certification.

TECHNICAL SPECIFICATIONS

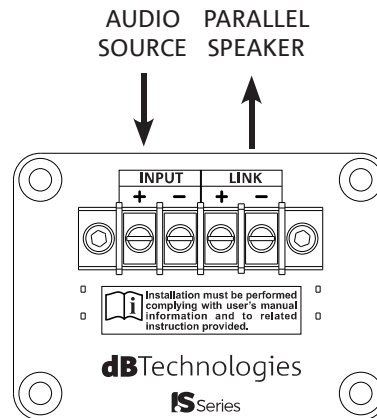
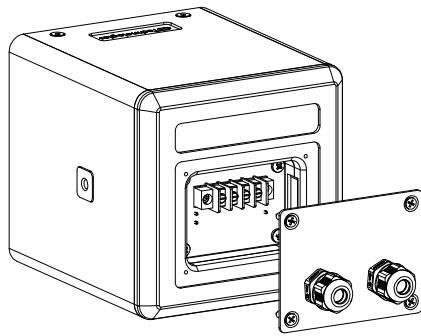
	IS4T-WP	IS5T-WP	IS6T-WP
Speaker Type:	Fullrange passive speaker	Fullrange passive speaker	Coaxial 2-way passive speaker
Protection against solid objects and liquids:	IP55		
Coverage (HxV):	110° x 110°	110°x110°	100°x100°
RMS Power:	40 W	60 W	100 W
Rated impedance:	8 Ohm		
HF:	-	-	0.75", 1" v.c.
LF:	4", 1" v.c.	5", 1" v.c.	6.5", 1.5" v.c.
Signal Input/Output:	Terminal barrier strip (or speakON® using the SP-IS accessory panel)		
Housing:	Wooden box with metal grille		
Dimensions (WxD):	130x130x150 mm (5.1x5.1x5.9 in)	160x160x180 mm (6.3x6.3x7.1 in)	195x195x210 mm (7.7x7.7x8.3 in)
Weight:	2 Kg (4 lbs.)	2.8 Kg (6 lbs.)	4.8 Kg (10 lbs.)

ACCESSORY



SP-IS
speakON® panel

CONNECTIONS



PROTECTION AGAINST SOLID OBJECTS AND LIQUIDS (IP RATING)

The speakers are protected against the ingress of solid objects and liquids with a rating of IP55 as defined by

EN 60529. Please only use cables with the specified diameters:

PG9 => between 4 and 8mm diameter

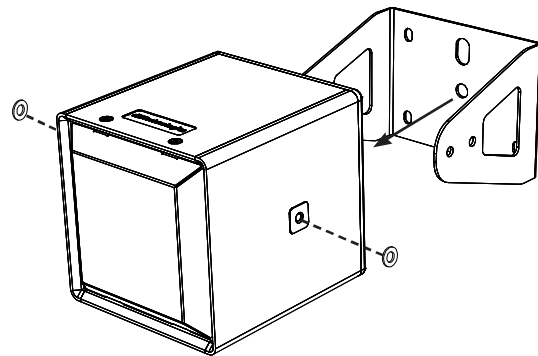
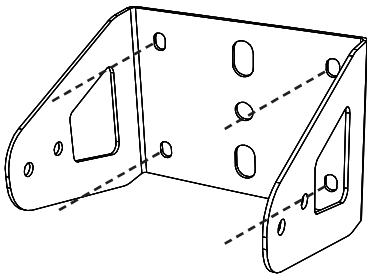
Fasten properly the cable gland using the plastic tightening nut



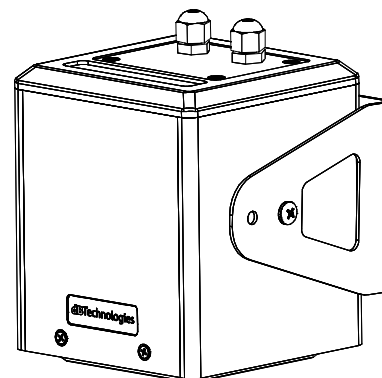
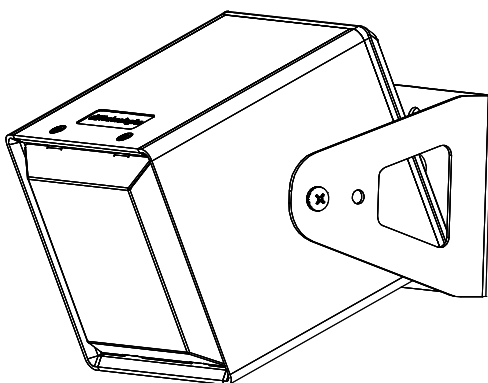
WARNING!

Failure to comply with these installation prescriptions could adversely affect the declared protection ratings.

INSTALLATION



1. Hold the bracket against the wall, mark the centres of the four holes in the bracket on the wall then drill the four holes (materials not supplied). fix the bracket to the wall using suitable screws and anchors (not supplied).
2. Align the supplied rubber washers with the two threaded inserts on the sides of the speaker.



3. Fasten the speaker to the bracket using the two screws supplied in the correct position for the required tilt angle.

WARNINGS



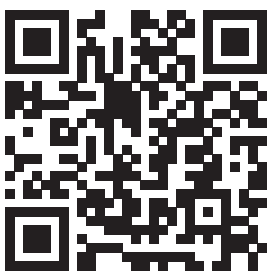
WARNING: Make sure that the loudspeaker is securely installed in a stable position to avoid any injuries or damages to persons or properties. For safety reasons do not place one loudspeaker on top of another without proper fastening systems. Before hanging the loudspeaker check all the components for damages, deformations, missing or damaged parts that may compromise safety during installation. If you use the loudspeakers outdoor avoid spots exposed to bad weather conditions. The external wiring connected to speaker output terminals requires installation by qualified personnel only. Once the equipment is installed, prevent access to the connectors to unqualified personnel. Only use the accessories and configurations described in this manual, and proceed in accordance with the instructions given in the manuals for the accessories. dBTechnologies will not accept any responsibility for damages caused by inappropriate accessories or additional devices.

Installation and use of this equipment and its accessories must be performed only by "Expert personnel" according to safety standard. To prevent hazards to people, animals and/or objects, make sure that the installation is stable and secure. Comply with the safety regulations and laws in force in the country in which you use the product. For safe use, periodically check that all parts are in good working condition before use. Only authorised personnel may carry out design, calculations, installation, testing and maintenance of professional flown or stacked audio systems.

Check periodically the integrity and the functionality of the accessories and the technical equipments for a safe installation. user should never apply a load that exceeds the working load limits of any rigging components or equipment here presented. design, calculation, installation, testing and maintenance of suspension and stack systems for audio equipment must be performed only by qualified and authorized personnel. AEB Industriale s.r.l. denies any and all responsibility for improper installations, in the absence of safety requirements.

Features, specification and appearance of products are subject to change without notice. dBTechnologies reserves the right to make changes or improvements in design or manufacturing without assuming any obligation to change or improve products previously manufactured.

The warnings in this manual must be observed together with the "User Manual - Section 2".



Scan with your QR Reader App to download the complete User Manual.



AEB INDUSTRIALE srl

A.E.B. Industriale Srl
Via Brodolini, 8
Località Crespellano
40053 VALSAMOGGIA
BOLOGNA (ITALIA)
Tel. +39 051 969870
Fax +39 051 969725

www.dbtechnologies.com

info@dbtechnologies-aeb.com