



INTRODUCTION

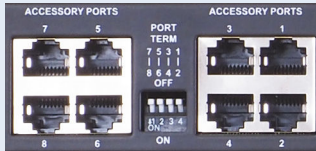
The ZONEMIX accessory ports allow for the connection of wall panels, paging stations and audio input sources. Please follow the guide below to set up your system.

Key:

ZONEMIX 4



ZONEMIX 8



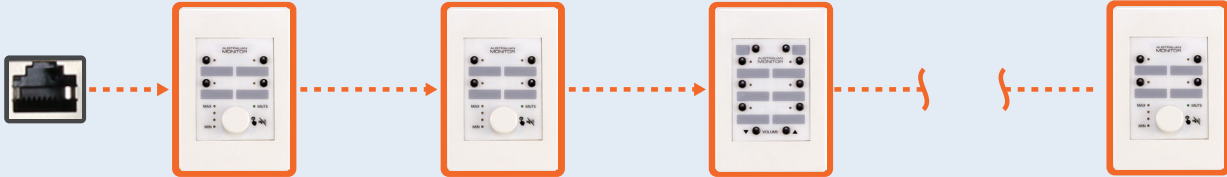
Wall Controllers



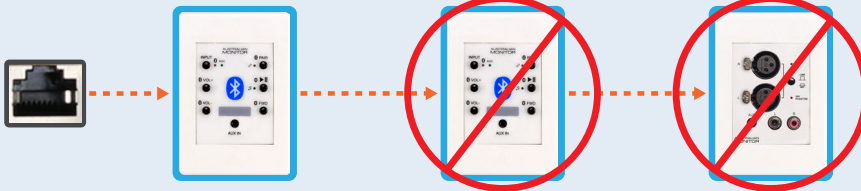
Audio Sources



Supports up to 8 controllers per port. (see page 2 for details)



Supports ONE audio input PER accessory port.



Supports up to 8 paging stations per port. (see page 2 for details) Note: Supports one active page at a time.



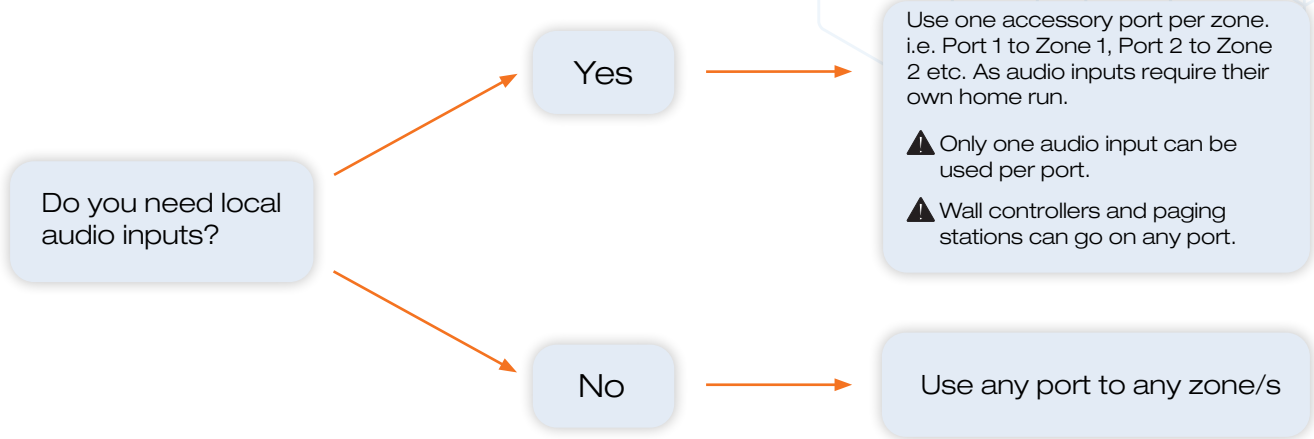
Example setup: Lots of controllers, lots of paging stations and ONE audio input.



! Please note that accessory port local audio input channels are locked to the corresponding output zone and only one can be used per zone. E.g. Accessory port 1 local input connects to Zone 1. However, multiple wall panels and paging stations can be connected on the same accessory port.



STEP 1: DECIDE PORT WIRING LAYOUT




STEP 2: CONFIRM YOU DO NOT EXCEED THE FOLLOWING LIMITS

Maximum cable length per port	Accessories per port	Maximum Accessories in system
100m	8	24
130m	7	
180m	6	
250m	5	
400m	4	
500m	3	

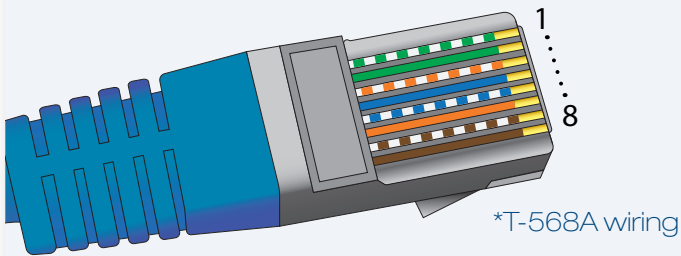
The maximum distances quoted in the table are due to DC current limitations. The paging stations and wall panels can be locally powered to increase the cable length to a maximum of 500m. Please read the following additional document: **Advanced accessory port wiring guide**.

STEP 3: ACCESSORY PORT WIRING

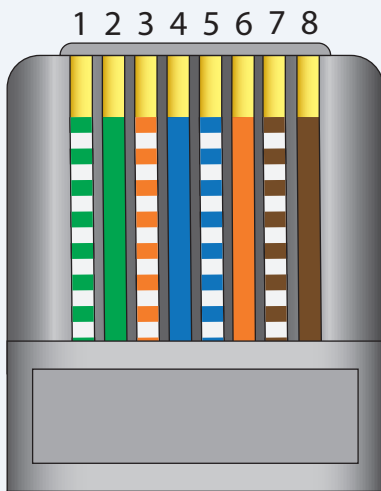
Wire the ZONEMIX and ZMPS paging stations as per the images below.

- Category 5, 5e and 6 cabling supported.
- T-568A wiring recommended. However, T-568B also supported.

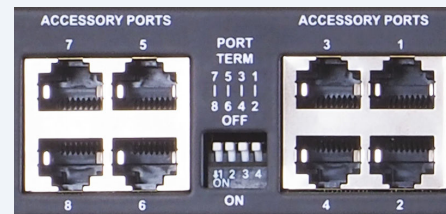
ZONEMIX AND ZMPS WIRING



Pin	Colour	Signal
1	Green/White	Paging Audio +
2	Green	Paging Audio -
3	Orange/White	RS485 B
4	Blue	+24V DC
5	Blue/White	GND
6	Orange	RS485 A
7	Brown/White	Local Input +
8	Brown	Local Input -



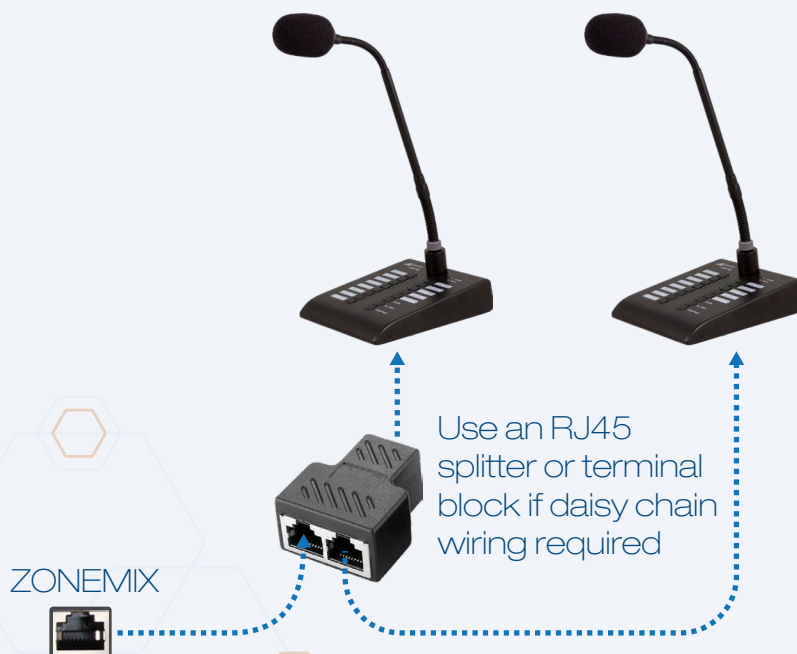
ZONEMIX



ZMPS



ZMPS DAISY CHAIN WIRING

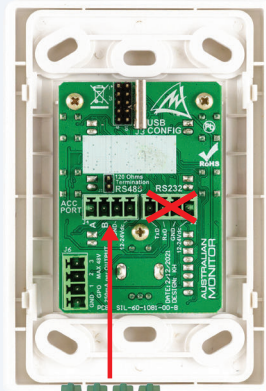


STEP 3: ACCESSORY PORT WIRING (CONT.)

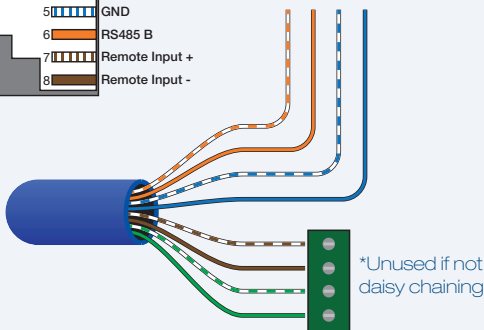
Wire the wall panels as per the images below.

- Category 5, 5e and 6 cabling supported.
- T-568A wiring recommended. However, T-568B also supported.

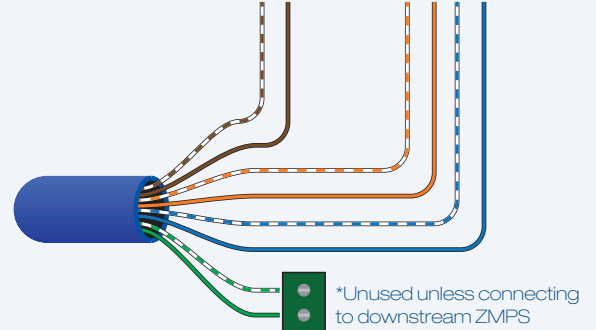
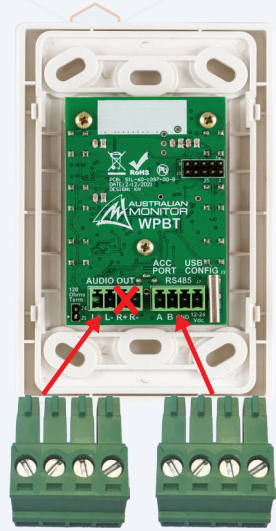
WP4R, WP10, WPVOL WIRING



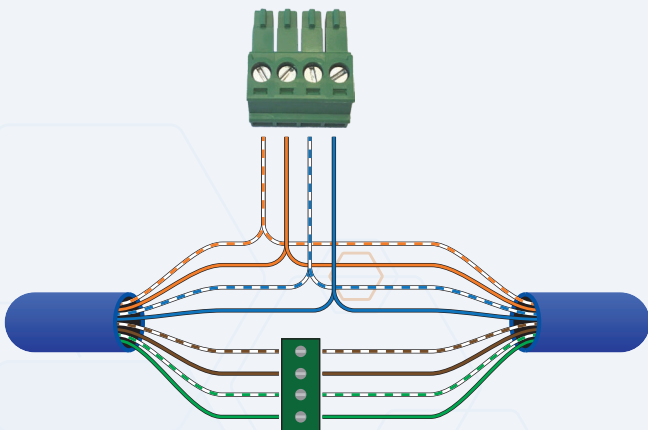
1	Paging Audio +
2	Paging Audio -
3	RS485 A
4	+24V DC
5	GND
6	RS485 B
7	Remote Input +
8	Remote Input -



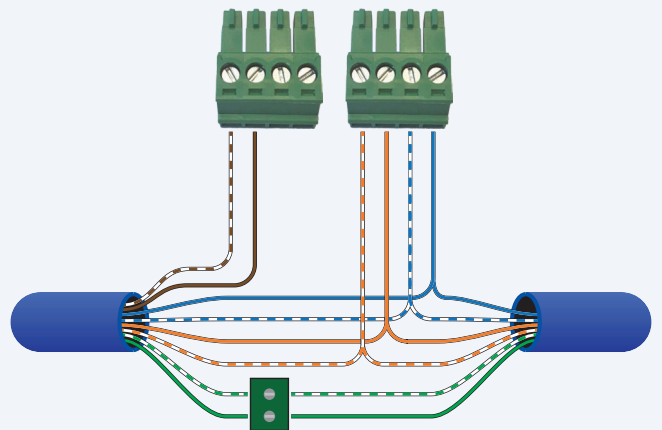
WPBT WIRING



Daisy chain wiring



Daisy chain wiring



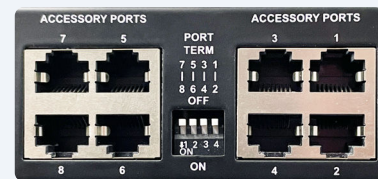
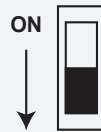
STEP 4: PORT TERMINATION – DO NOT SKIP THIS STEP

The ZONEMIX uses the RS485 standard to communicate to wall panels and paging stations. RS485 requires that each end of the cable run is terminated to prevent signal corruption due to signal reflections in the cable.

The Accessory Ports are grouped in Pairs. 1+2, 3+4, 5+6, 7+8. You must terminate the ZONEMIX and Accessories based on which ports you use.

1. Terminate the ZONEMIX accessory ports, as per the table, using the PORT TERM switches

ACCESSORY PORT TERMINAL SWITCH SETTING			
ONE PORT USED	TERM	BOTH PORTS USED	TERM
Port 1 OR Port 2 used	ON	Port 1 AND Port 2 used	OFF
Port 3 OR Port 4 used	ON	Port 3 AND Port 4 used	OFF
Port 5 OR Port 6 used	ON	Port 5 AND Port 6 used	OFF
Port 7 OR Port 8 used	ON	Port 7 AND Port 8 used	OFF



2. Terminate the LAST RS485 accessory on the port cable run.

Paging station termination

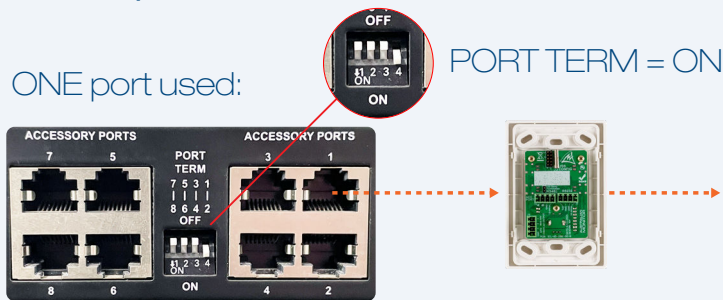


Wall panel termination

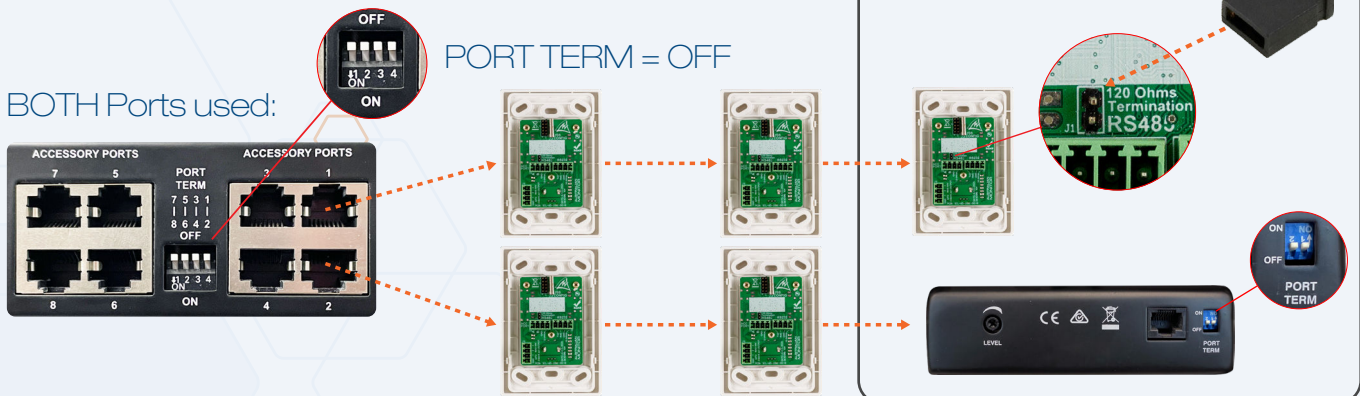


Examples:

ONE port used:

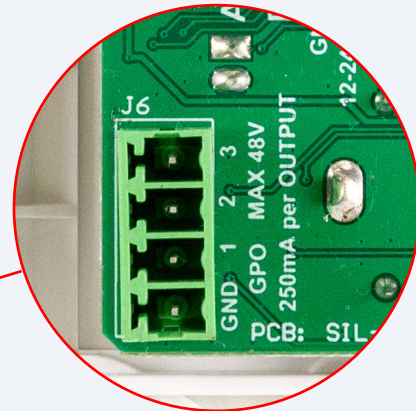
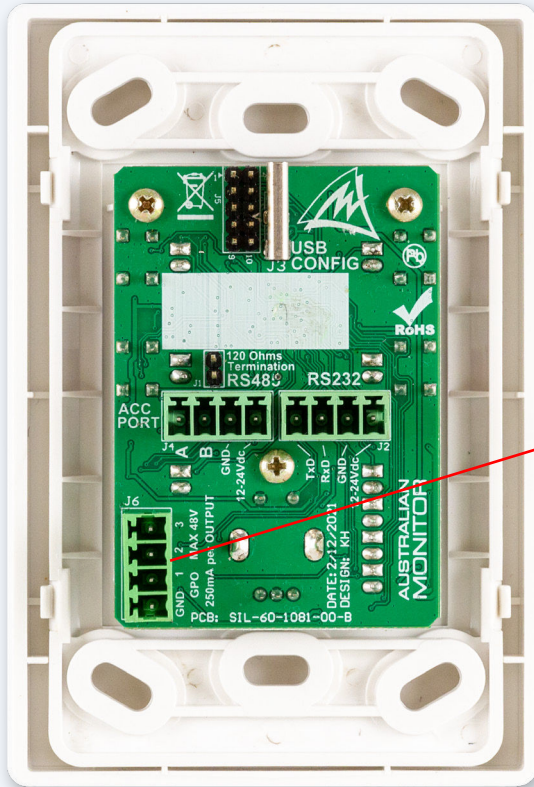


BOTH Ports used:



STEP 5: WP4R, WP10 GPO WIRING (OPTIONAL)

The WP4R and WP10 both have 3 general purpose outputs which can be controlled from the wall panel buttons to trigger external devices such as projectors.



GPO Schematic

Each Output is an open collector transistor.
Maximum Voltage: 48V
Maximum Sink Current: 250mA

