

MicroBoom™ Carbon Fiber Boom Arms

OVERVIEW

The MicroBoom™ integrated carbon fiber boom system is available in three lengths: 24", 50" and 84" and is designed to be used with the award winning Micros™ Series of miniaturized condensers. Lightweight and able to attach to any standard microphone stand, the MicroBoom is a problem solver for portability and hard-to-reach miking applications including choir, live theater and orchestra.

The MicroBoom can be used with a choice of capsules in the Micros Series, offering a broad choice of pick-up pattern and frequency response. A high quality shielded cable is used internally to insure the cleanest audio signal path between the microphone and the bottom of the boom, which terminates in a mini-XLR male connector. The MCBOOM adaptor allows for total control over the angle, rotation and position of the carbon fiber rod. The MicroBoom provides an ultra-clean, professional and elegant appearance on stage while providing exceptional performance and portability.

MODEL VARIATIONS

MICROBOOM24 - 24" carbon fiber boom arm with clutch assembly

MICROBOOM50 - 50" carbon fiber boom arm with clutch assembly

MICROBOOM84 - 84" carbon fiber boom arm with clutch assembly

MICROBOOM SYSTEMS

The MicroBoom System comes with a carbon fiber boom, clutch assembly, microphone, cable and windscreen.

MB5050 - 50" carbon fiber boom, clutch assembly & M1250B cardioid mic

MB5050HC - same as above but with a M1250BHC hypercardioid mic

MB5055 - same as above but with a M1255B high output cardioid mic

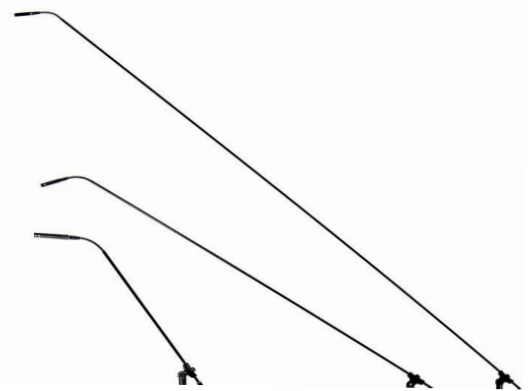
MB5055HC - same as above but with a M1255BHC high output hypercardioid mic

MB8450 - 80" carbon fiber boom, clutch assembly & M1250B cardioid mic

MB8450HC - same as above but with a M1250BHC hypercardioid mic

MB8455 - same as above but with a M1255B high output cardioid mic

MB8455HC - same as above but with a M1255BHC hypercardioid mic



MicroBoom™ in 24", 50", & 84"

FEATURES

- Clean, elegant appearance
- Choice of capsules
- No external power needed
- Designed, assembled & tested in the USA
- 1 year warranty

APPLICATIONS

- Choir
- Ensemble vocal
- Theatre
- Orchestral zone miking
- Location recording
- Presentation
- Conference room
- Video production

SUPPLIED ACCESSORIES

MCBOOM - Mic stand adapter with thumbscrew and wing nut adjustments

OPTIONAL ACCESSORIES

CBLM25 - 25' shielded mic cable with mini-XLRf - XLRm connectors

STANDMB - Pedestal mic stand adjustable 13-20 inches

WS1218 - Windscreen



MCBOOM



CBL20



CBLDR25



WS1218

MicroBoom

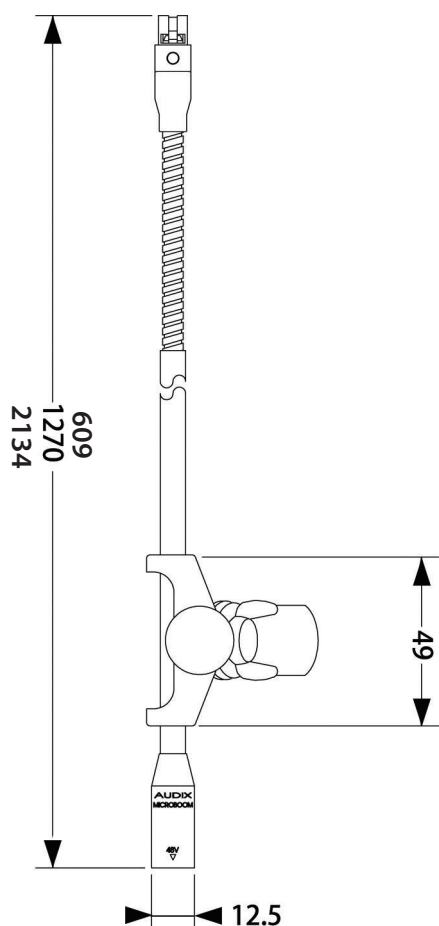
SPECIFICATIONS

Rod material	Carbon Fiber
Gooseneck	Flexible Steel
Length MicroBoom™24	609 mm / 24 in
Length MicroBoom™50	1270 mm / 50 in
Length MicroBoom™84	2134 mm / 84 in
Diameter	7.4 mm / .2 in
Connections	mini-XLRm (bottom) mini-XLRf (top)
Weight MicroBoom™24	45 g / 1.6 oz
Weight MicroBoom™50	78 g / 2.5 oz
Weight MicroBoom™84	111 g / 4 oz
Finish	Black Finish

OPERATION

The MicroBoom™ is a modular system and simple to use. The microphone attaches to the mini-XLR connector at the end of the gooseneck. To release and remove the microphone from the connector, simply push the black button on the side of the mini-XLR and pull the microphone off.

DIMENSIONS (mm)



PRODUCT REGISTRATION: Please register your product online at www.audixusa.com/docs_12/about/product_registration.shtml.

SERVICE AND WARRANTY: This product is under warranty for a period of 1 year to be free of defects in material and workmanship. In the event of a product failure due to materials or workmanship, Audix will repair or replace said product at no charge with proof of purchase. Audix does not pay or reimburse shipping costs for warranty repairs or returns. The warranty excludes any causes other than manufacturing defects, such as normal wear, abuse, environmental damage, shipping damage or failure to use or maintain the product per the supplied instructions. No Implied Warranties: All implied warranties, including but not limited to implied warranties of merchantability and fitness for a particular purpose are hereby excluded. The liability of Audix, if any, for damages relating to allegedly defective products shall be limited to the actual price paid by Dealer for such products and shall in no event include incidental or consequential damages of any kind. Should your microphone fail in any way, please contact the Audix Service department at 503.682.6933. A Return Authorization is required before returning any product. OTHER THAN THIS WARRANTY, AUDIX MAKES NO WARRANTIES, EXPRESS OR IMPLIED, WITH RESPECT TO THE PRODUCTS, THE USE OF THE PRODUCTS, THE PERFORMANCE OF THE PRODUCTS. AUDIX SHALL NOT BE LIABLE FOR SPECIAL INCIDENTAL, CONSEQUENTIAL, INDIRECT OR SIMILAR DAMAGES ARISING FROM OR BASED ON THE SALE, USE, STORAGE OR DISPOSAL OF THE PRODUCTS, AUDIX'S SERVICE WORK, BREACH OF WARRANTY, BREACH OF CONTRACT. NEGLIGENCE, OR ANY OTHER THEORY OF LIABILITY, EVEN IF AUDIX HAS BEEN ADVISED OF THE POSSIBILITY OF SUCH DAMAGES.