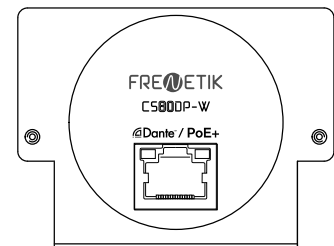
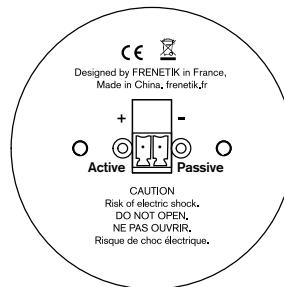
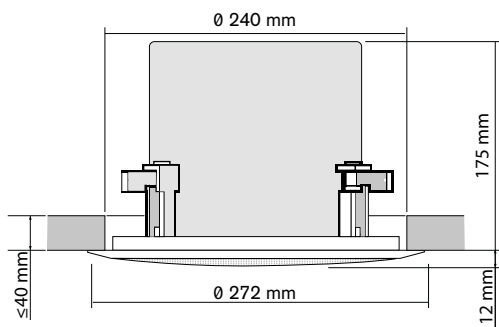


Dante™ PoE+ 8" 2-way amplified ceiling speaker



Reference	CS80DP-W
Type	2-way coaxial ceiling speaker
Power (passive mode)	40 W (8 ohms)
Amplification	25 W (class D)
Dante™ Receiver	1 (16 / 24 / 32 bit - 44.1 à 96 kHz)
Transducer	1 x 8" woofer 1 x 1" tweeter
Peak SPL capacity (1 m)	110 dB
Bandwidth (-10 dB)	100 Hz - 16 kHz
Directivity (H x V)	100° x 100°
Input connector	1 x RJ45 + 1 Euroblock connector
Dimensions	Ø 272 x P 187 mm
Cut out diameter	Ø 240 mm
Built-in depth	175 mm
Weight	3.1 kg
Power supply	PoE+ (IEEE 802.3 at)

Dante™ PoE+ optiZONE noLOGO



Mounting and connexion method

