



technical specifications VR8

general

- RBN401 pro-ribbon HF driver with exceptional intelligibility and dynamic output
- Patented “Real-90” horizontal dispersion up to beyond 20kHz
- 1:1 non-compressed linear sound reproduction, with up to 90% less distortion
- SIS™ pre-wired for very high damping and further reduced distortion (with ALC)
- Durotect™ coated multi-angle enclosure provides versatile deployment
- Also available in mirrored version as VR8M for symmetrical monitor pairing



description

The VR8 is a 2-way compact multi-purpose loudspeaker, for both portable and permanent applications. The system combines a reference-quality clarity and intelligibility, with a high dynamic SPL.

The VR8 HF section features the RBN401 pro-ribbon driver with an 800 W peak power input, enabling a 1:16 dynamic range with up to 90% less distortion from 1 kHz to beyond 20 kHz.

The RBN401 is mounted on a “revolvable” 90° x 40° wave-guide and projects with “Real-90” horizontal dispersion up to 20.000Hz.

Due to the “compression-less” principle of the pro-ribbon transducer technology, the system has a fully linear response at any SPL, for an intuitive 1:1 performance.

The low-end is taken care of by an 8” mid-bass transducer, with 2” voice-coil motor structure and treated cone, combining a wide frequency range, superb accuracy with low power compression.

For full system performance, the VR8 needs to be driven by an ALC controller-amplifier, delivering maximum sound quality with increased headroom and utmost operation reliability and flexibility.

The Signal Integrity Sensing™ pre-wiring ensures complete cable/connector compensation between the VR8 and ALC, significantly increasing response accuracy, regardless of cable length and system impedance, with tight and accurate mid and bass response as result.

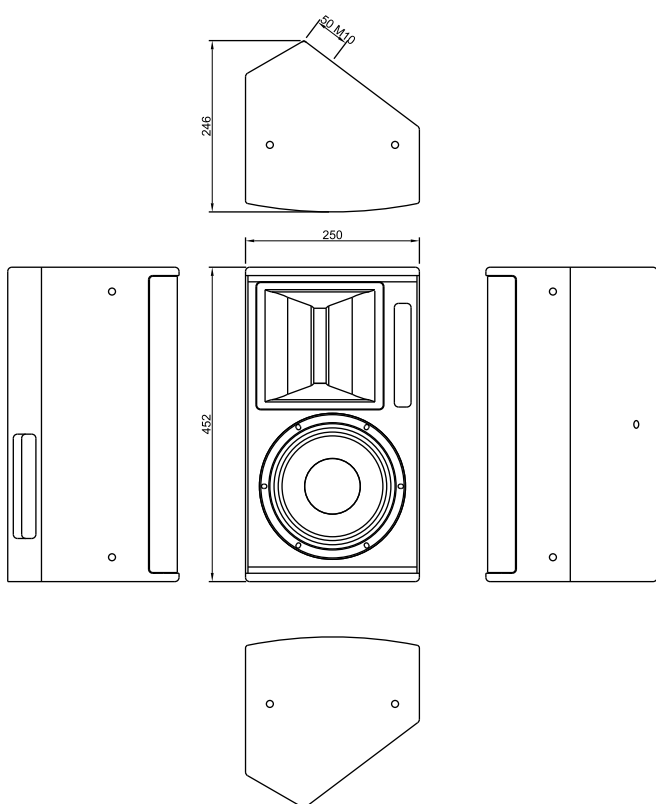
The combination of the asymmetric multi-angle enclosure, the revolvable waveguide and the ACO™ color option provides for inconspicuous low profile stage, stand, wall or ceiling positioning.

Typical (short to medium throw) applications for the VR8 range from full-range PA, stage monitor, under-balcony system up to a compact main PA system, in combination with a separate subwoofer.

The VR8 is also available in mirrored version as VR8M (mirrored asymmetric cabinet and baffle configuration), for symmetrical monitor pairing.

technical specifications VR8

dimensional drawing



technical specifications

Frequency response	74 Hz - 20.000 Hz	(+/- 3 dB)
	58 Hz -	(+/- 10 dB)
Sensitivity nominal	96 dB (200 Hz - 10 kHz)	
Nominal impedance	8 ohms	
Recommended drive	Sentinel3 min., max. 3 pcs. per channel (2.7 ohms)	
Nominal SPL peak	122 dB (Sentinel3 200 Hz - 10 kHz) 128 dB (Sentinel10 200 Hz - 10 kHz)	
Dispersion H x V (single)	90° x 40° or 40° x 90° (90° @ 20 kHz, line-source)	

physical specifications

System	2-way, full range	
Filtering	passive	
Drivers LF	1x AMB8-8 8", vented	
Drivers HF	1x RBN401 4" pro-ribbon driver	
Connectors	2x Speakon NL4 input/link	
Physical dimensions	mm	inches
Height	452	17.8
Width	250	9.8
Depth	246	9.7
Weight (approx.)	kg	lb
	12	26,5
Warranty	6 years limited	

A: Alcons Audio
De Corantijn 10
1689 AP ZWAAG
The Netherlands

E: info@alconsaudio.com
W: www.alconsaudio.com
T: +31 (0)229 28 30 90