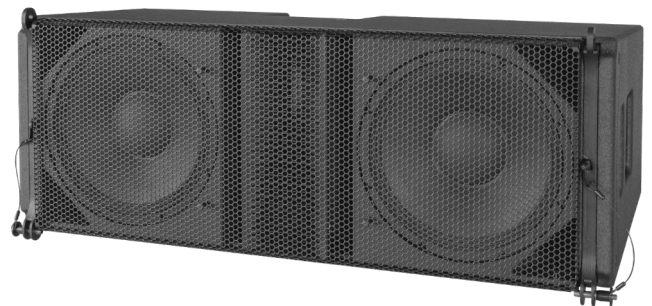




technical specifications LR24/120

general

- High-performance line-array system for medium to larger applications
- HiFi sound quality at concert Sound Pressure Levels
- 12" pro-ribbon HF section with exceptional intelligibility and "throw"
- Maximum dynamic headroom reserve with lowest possible distortion
- Fully symmetric and coherent pattern control in horizontal and vertical plane
- SIS™ pre-wired for very high system damping and further reduced distortion



description

The LR24/120 is a 3-way, "mid-size" format line-source sound system; Loaded with Alcons' multiple-patented pro-ribbon technology for mid and high frequencies, the system features a super-fast impulse response with up-to-90% less distortion. This results in a fully intuitive linear response, with perfect intelligibility and non-compressed identical tonal balance at any SPL.

The all-natural cylindrical wavefront of the purpose-designed RBN1202rs 12" pro-ribbon transducer and the acoustically and electronically symmetrical component configuration bring a unique pattern control in both the vertical as well as the horizontal plane, up to the highest frequencies without any distortion-inducing horn constructions. The ultra-coherent vertical dispersion enables a perfect inter-cabinet coupling for ultimate HF throw and wind-stability.

The remarkable intelligibility and maximum dynamic headroom reserve is due to the RBN1202's enormous power handling of 2500W and RMS-to-peak ratio of 1:15, from 1 kHz to 20 kHz.

The MF-section features two high-efficiency 6.5" midrange transducers with Neodymium motor-structure, coaxially mounted behind the HF driver in a horn-loaded configuration.

The LF-section delivers a super accurate bass with highest output under lowest distortion possible. The new-generation 12" transducers are fitted with a large, dual-3.5" voice-coil Neodymium motor, enabling a significantly-extended excursion, while maintaining a high sensitivity.

The LR24/120 is driven by the Sentinel amplified loudspeaker controller, optimising the system's response by system-specific drive processing and feedback for each array configuration, including presets for phase-matched low-frequency extensions.

The Signal Integrity Sensing™ pre-wiring ensures dynamic cable/connector compensation between the LR24/120 and ALC; This offers a 1:1, undistorted natural sound reproduction, regardless of cable length and amplifier impedance load (system damping factor 10.000).

The rigging system enables angle-setting on the

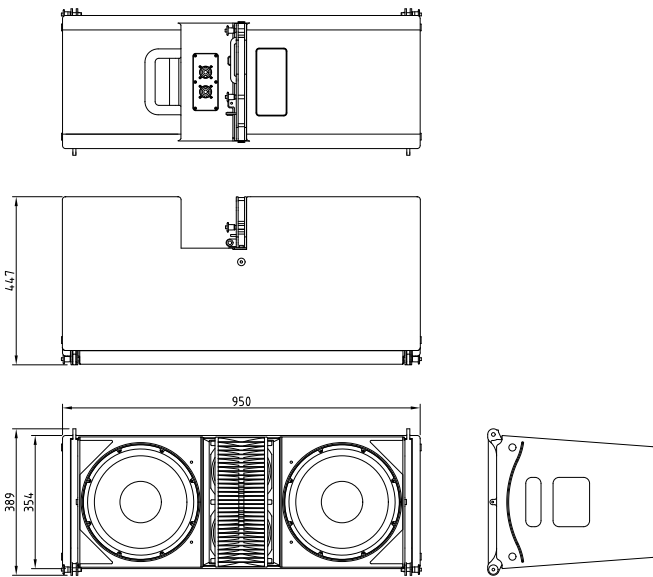
cabinets without lifting the array, resulting in safer and faster set-up with minimal handling. The unique, patent-pending flying system facilitates both compressed and non-compressed suspension. It has a WLL of 24 cabinets under 10:1 safety.

The LR24 is available in two versions with 90-degree (LR24/90) and 120-degree (LR24/120) horizontal dispersion.

Array configurations can be simulated in the Alcons Ribbon Calculator (ARC), Alcons' high-resolution 3D simulation program.

technical specifications LR24/120

dimensional drawing



technical specifications

Frequency response	58 Hz - 20.000 Hz	(+/- 3 dB)
	46 Hz -	(+/- 10 dB)
Sensitivity nominal	108 dB (200 Hz - 10 kHz)	
Nominal impedance	LF 8 ohms, MHF 8 ohms	
Recommended drive	Sentinel10, max. 2 pcs. per channel (4 ohms)	
Nominal SPL peak	141 dB (Sentinel10 200 Hz - 10 kHz)	
Dispersion H x V (array)	120° x depending on array length	
Dispersion H x V (single)	120° x 8° (@ 10 kHz)	

physical specifications

System	3-way, full range	
Filtering	2-way active, 2-way passive	
Drivers LF	2x AW12.352ND-16 12", vented	
Drivers MF	2x AM65ND-16 6.5", sealed	
Drivers HF	1x RBN1202rs 12" pro-ribbon driver	
Connectors	2x Speakon NL8 input/link	
Physical dimensions	mm	inches
Height	354	13.9
Width	950	37.4
Depth	447	17.6
Weight (approx.)	kg	lb
	45	99,2
Warranty	6 years limited	

A: Alcons Audio
De Corantijn 10
1689 AP ZWAAG
The Netherlands

E: info@alconsaudio.com
W: www.alconsaudio.com
T: +31 (0)229 28 30 90