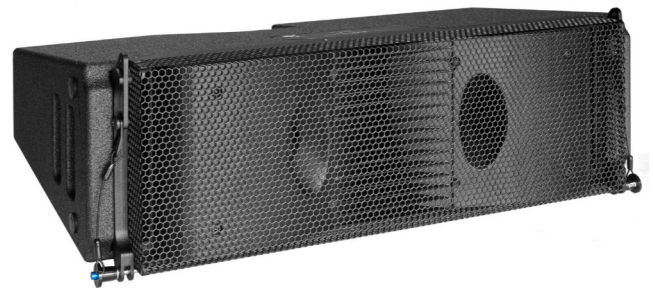




technical specifications LR15/120

general

- High-performance line-array system for small to medium applications
- HiFi sound quality at concert Sound Pressure Levels
- Unique fully symmetric and coherent horizontal and vertical pattern control
- 5" pro-ribbon HF section with exceptional intelligibility and "throw"
- Next-gen 6.5" woofers with FlowVent™ loading
- 1:1 non-compressed linear sound reproduction, with up to 90% less distortion



description

The LR15/120 is a 2-way, "ultra-compact" format line-source sound system, combining the highest sound quality possible with high SPL capabilities and throw in a very compact form factor.

By implementing Alcons' pro-ribbon technology for mid and high frequencies, a super-fast impulse response with up-to-90% less distortion is achieved. This enables the LR15 to offer a fully intuitive linear response, with perfect intelligibility and non-compressed identical tonal balance at any SPL.

The all-natural cylindrical wavefront of the multiple-patented RBN502rs 5" pro-ribbon transducer with 5" voice-coil and the symmetrical component configuration bring a natural, unique pattern control in both the vertical as well as the horizontal plane up to the highest frequencies.

The pro-ribbon's power handling of 1100W and RMS-to-peak ratio of 1:15, caters for a superb intelligibility and throw with a dynamic headroom reserve, even under the highest outputs.

The LF-section consists of two next-gen 6.5" transducers; a perfect hybrid of a woofer and mid-bass driver featuring a 2-in. dual-coil motor structure with significantly-extended excursion. The woofers are loaded by FlowVent™ ports, providing optimised flow with minimal port compression while extending the usable LF response down to 53Hz.

The resulting super accurate low-mid and bass response with class-leading output under lowest distortion possible, is a perfect match with the pro-ribbon MHF.

The LR15 is driven by the Sentinel amplified loudspeaker controller, optimising the system's

response by specific VHIR™ drive processing and feedback for each array configuration, including presets for phase-matched low-frequency extensions.

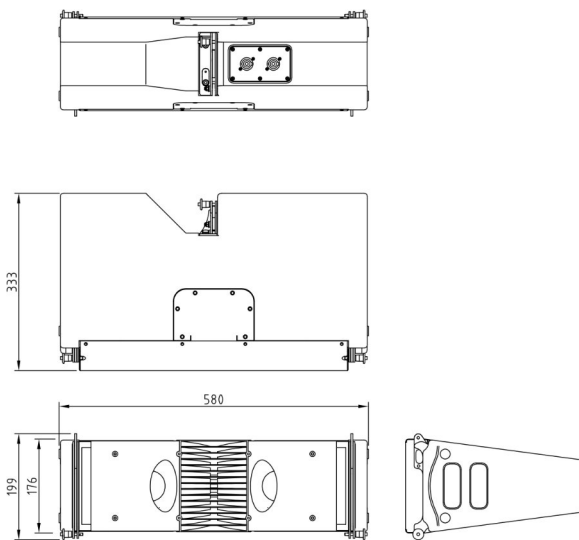
The Signal Integrity Sensing™ pre-wiring ensures dynamic cable/connector compensation between the LR15 and ALC; This offers a 1:1, undistorted natural sound reproduction, regardless of cable length and amplifier impedance load (system damping factor 10.000).

The 3-point rigging and transport system enables angle-setting on the cabinets without lifting the array, resulting in safer and faster set-up with minimal handling and a WLL of 24 cabinets under 10:1 safety.

The LR15 is available with a 90° (LR15/90) or 120° (LR15/120) horizontal dispersion.

technical specifications LR15/120

dimensional drawing



technical specifications

Frequency response	74 Hz - 20.000 Hz (+/- 3 dB)
	53 Hz - (+/- 10 dB)
Sensitivity nominal	99 dB (200 Hz - 10 kHz)
Nominal impedance	8 ohms
Recommended drive	Sentinel10, max. 3 pcs. per channel (2,7 ohms)
Nominal SPL peak	125 dB (Sentinel3 200 Hz - 10 kHz)
	131 dB (Sentinel10 200 Hz - 10 kHz)
Dispersion H x V (array)	90° or 120° x depending on array length
Dispersion H x V (single)	90° or 120° x 15° (@ 10 kHz)

physical specifications

System	2-way, full range	
Filtering	passive	
Drivers LF	2x AW65.22ND-16 6,5", vented	
Drivers HF	1x RBN502rs 5" pro-ribbon driver	
Connectors	2x Speakon NL4 input/link	
Physical dimensions	mm	inches
Height	176	6.9
Width	580	22.8
Depth	333	13.1
Weight (approx.)	kg	lb
	14	30,9
Warranty	6 years limited	

A: Alcons Audio
De Corantijn 10
1689 AP ZWAAG
The Netherlands

E: info@alconsaudio.com
W: www.alconsaudio.com
T: +31 (0)229 28 30 90