



technical specifications LB18

general

- High-performance line-array low frequency extension system
- Forms high-output line-array extension in combination with LR18
- Maximum dynamic headroom reserve with lowest distortion
- All Neodymium drivers for excellent performance-to-weight ratio
- Large, centrally-located vents for improved breathing and low compression
- SIS™ pre-wired for very high damping and further reduced distortion

description

The LB18 is a low-frequency line-array module for medium to large sound reinforcement applications; It is designed as LF array extension of the LR18 pro-ribbon line-array. In combination with LR18, high output arrays can be formed for high-end sound reinforcement, where precise projection and long-throw is required down to the lower frequencies.

Adding LB18 modules enlarges the array length, extending the controlled (cylindrical) projection of the LR18 down to the lower frequencies, while increasing throw of the low-mid frequencies over distance.

The LB18 consist of 2 long-excursion 8" woofers in a centrally-vented configuration. The 8" woofer features a large, oversized 3" voice-coil Neodymium motor structure and dual-spider suspension with forced-



venting, for improved heat dissipation and reduced power compression, surpassing the output of even larger sized drivers, while maintaining an unobtrusive face print.

For full system performance, the LB18 is driven and controlled by the ALC amplified loudspeaker controller; Driven by the ALC, the LB18 delivers maximum sound quality and output power with long-term operation reliability. The integrated factory presets in the drive processor of the ALC offer gain, phase and filtering matching, as well as array-length correction in combination with the LR18 system.

The Signal Integrity Sensing™ pre-wiring ensures dynamic cable/connector compensation between the LB18 and ALC, significantly increasing response

accuracy of the low frequencies. This offers a 1:1, undistorted natural sound reproduction, regardless of cable length and amplifier impedance load (system damping factor of 10.000).

The rigging system is fully compatible with that of the LR18; The rigging system enables angle-setting on the cabinets, without lifting the array, resulting in safer and faster set-up with minimal handling. It has a WLL

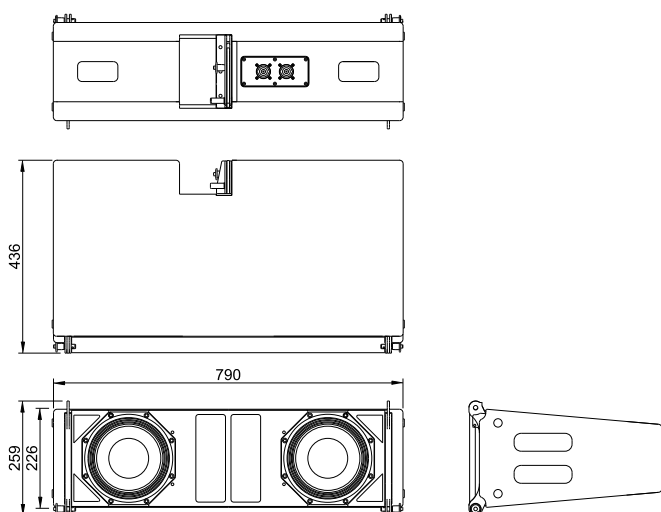
of 32 cabinets under 10:1 safety (or weight-equivalent in combination with LR18).

The LB18 is part of "The Ribbon Network" inventory and comes with a 6-years "no hassle" warranty.

Array configurations can be simulated in the Alcons Ribbon Calculator (ARC), Alcons' high-resolution 3D simulation program.

technical specifications LB18

dimensional drawing



technical specifications

Frequency response	70 Hz – 250 Hz	(+/- 3 dB)
	51 Hz -	(+/-10 dB)
Sensitivity nominal	96 dB (50 - 200 Hz)	
Nominal impedance	8 ohms	
Recommended drive	ALC Sentinel10	
Nominal SPL peak	127 dB (Sentinel10 50 - 200 Hz)	
Dispersion H x V (single)	omni	

physical specifications

System	1-way, limited bandwidth	
Drivers LF	2x AW8.3ND-16 8", vented	
Connectors	2x Speakon NL4 input / link	
Physical dimensions	mm	inches
Height	226	8.9
Width	790	31.1
Depth	436	17,2
Weight (approx.)	23 kg	50.7 lb
Warranty	6 years limited	

A: Alcons Audio
De Corantijn 10
1689 AP ZWAAG
The Netherlands

E: info@alconsaudio.com
W: www.alconsaudio.com
T: +31 (0)229 28 30 90