



Spec Sheet

DVA T12

Active 3-Way Line Array Module
1x12"/2x6.5"/3x1", 1410W **Digipro G2**



Applications

- Sound reinforcement for large size venues
- Installations in clubs, theatres, houses of worship
- Upfill/long throw coverage in combination with T8s or T4s systems

Features

- Fully powered three-way unit
- Switched Mode Power Supply (SMPS) with PFC (works from 90V to 240V)
- 1410W Class-D Digipro G2 amplifier
- Remotable with on-board RDNet port
- 56bit DSP - 24bit\48KHz A/D conv.
- 9 on-board preset equalizations for a fast and easy setup
- Hardware and acoustical design is compatible with DVA T series systems

Description

DVA T12 is a step up the evolutionary ladder from the successful DVA T4 line array system. Although it provides more power and has greater range, its active three-way design makes it just as easy to set up and install as its predecessor.

DVA T12 features state-of-the-art neodymium speakers and high-performance digital amps with total of 1,410W output power.

In combination with top-drawer DSP and premium quality AD-DA converters, it delivers high-definition sonic images with massive SPL for large sound reinforcement applications.

Weighing just 29kg, this remarkably compact unit belies its unobtrusive look by enabling you to set up very powerful line arrays that deliver extraordinary performance.

A 12" neodymium woofer in a band-pass housing covers the low frequency range. Remarkably powerful, it packs an assertive punch that reaches down to 60 Hz to enable full-range applications. The 12" woofer is slanted inside the housing, giving the cabinet a lean, unobtrusive look.

The DVA T12 has two 6.5" neodymium midrange, which are placed close together to maximize coherent coupling and response for those critical midrange frequencies. The speaker resides in a sealed basket to optimize the displacement volume. This makes the midrange even more responsive. With a high BL factor, it reacts far faster to transients and renders each attack with awesome accuracy. Both 6.5" midrange are equipped with an optimized phase plug and feed into a frontloaded horn to achieve a uniform coverage pattern.

The 1" neodymium HF drivers feature 1.4" Mylar diaphragms. Exceptionally light and responsive, they deliver richly detailed signals with remarkably linear frequency response. Specially developed for use in line arrays, these ultra compact drivers may be deployed in very close proximity to one another. This is essential to minimize interference in such arrays.

The DVA T12 is loaded with three HF drivers tuned specifically for the custom designed array horn. This combination maximizes the coupling of the drivers outputs and extends the range of the HF signal.

DVA T12

Technical Specifications

System Specifications

Loudspeaker Type	Three-way Active line array module	
Max SPL	136 dB	
Frequency Response (± 3 dB)	60Hz - 19 kHz	
Inputs	1x XLR 1x RJ45 (RDNet input)	
Input Sensitivity	Nominal	0 dBu
Outputs	1x XLR 1x RJ45 (RDNet link)	
Controls	1x Input Sensitivity rotary 1x EQ rotary switch (9 presets) 1x USB type "B" port (service data)	
Drivers	LF MF HF	1x 12" neodymium woofer - 3" v.c. 2x 6,5" neodymium midrange - 2" v.c. 3x 1" neodymium CD - 1.4" v.c.
Dispersion pattern	(HxV)	100° x 10°

Amplifier

Amplifier	Class-D Digipro G2™	
	RMS Power	1410 Watt
	Peak Power	2820 Watt
	LF	710 W/RMS
	MF	350 W/RMS
	HF	350 W/RMS
Power Connections	Power-con (in and out)	
Power supply	Main PSU Logic and control PSU	1500W SMPS full-range with active PFC (100V-240V~) 15W SMPS full-range (100V-240V~)
Cooling	Convection, fan-free	
Advanced Features	Intelligent Power On Sequence (I.P.O.S.) circuit	

Processor

Audio Processing	DSP A/D conv.	28/56bit with double precision filters 24 bit/96 kHz
X-over frequencies	LF-MF MF-HF	420Hz, 24dB/oct. 1900Hz, 24dB/oct.
Limiter	Dual active - Multiband - RMS/Peak - Thermal	
Audio Presets	9 Audio Presets (8x HF and Lo-Mid correction and 1 for User Custom EQ)	
Remote control	RDNet control (read/write data in real time)	

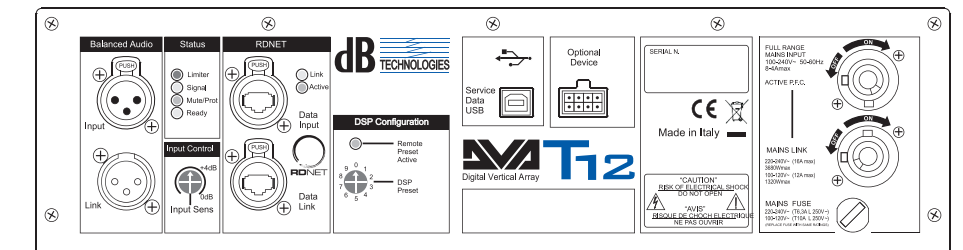
Mechanics

Dimensions (W x H x D)	580 x 386 x 430 mm 22.83 x 15.20 x 16.33 in	
Weight	29.9 kg - 65.92 lbs.	
Enclosure	Box Internal structure Flying support	Polypropylene PP Metal reinforced Steel
Handles	1x left side 1x right side	
Splay Angles	0° - 1.5° - 3° - 4.5° - 6° - 8° - 10°	
Fittings	Integrated hardware	

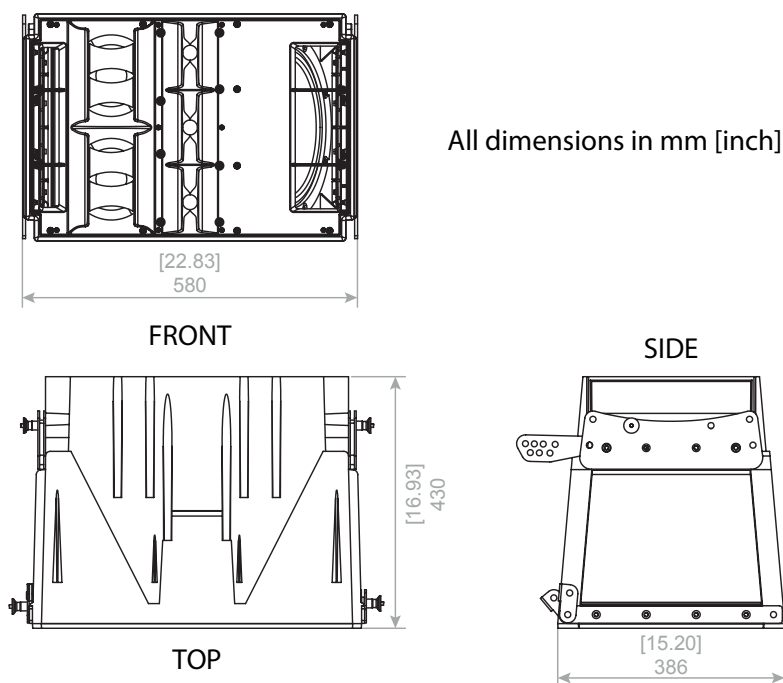
DVA T12

Technical Specifications

Rear Panel



Overall Dimensions



Accessories

ADTF-2	Flight case for 2 DVA T12 modules
ADTF-3	Flight case for 3 DVA T12 modules
AFL 05	Powercon-Powercon link cable. 1,5m length
DCK 27	Cable-set for DVA T12 containing 2 x Powercon links 70cm blue/grey, 2 x XLR M/F 70 cm
DCK 45	Set with 1xPowercon/IEC Plug cable 10m, 3x Powercon slave 50cm, 3xXLR cable 50cm
DRK-10	Fly bar for DVA systems. Designed to hang up to a maximum weight of 250 Kg
DRK-20	Fly bar for DVA systems. Designed to hang up to a maximum weight of 1800 kg
DRK-20M	Motoryzed fly bar for DVA systems with RDNet control. Maximum weight of 1000 kg
DT 6	Metal trolley to carry up to 6 DVA T4/T8 modules or up to 4 DVA T12 modules
RDC-45F	RJ45 to XLR 3 poles female conversion cable, 6 cm length
RDC-45M	J45 to XLR 3 poles male conversion cable, 6 cm length
RJ45-RJ45-150	RJ45-RJ45 link cable (150cm) for RDNet-equipped speakers
RJ45-RJ45-75	RJ45-RJ45 link cable (75cm) for RDNet-equipped speakers

info@dbtechnologies.com www.dbtechnologies.com

dBTechnologies products are continually improved. All specifications are therefore subject to change without notice.