



technical specifications CRS8/9090

general

- Reference-quality immersive surround sound system
- Unique voicing match with Alcons pro-ribbon loaded screen systems
- 1:1 non-compressed sound reproduction, with up to 90% less distortion
- RBN401 pro-ribbon HF driver with exceptional intelligibility and dynamic output
- SIS™ pre-wired for very high damping and further reduced distortion (with ALC)
- Patented “Real-90” horizontal and patent-pending vertical dispersion

description

The CRS8/9090 is a 2-way passive-filtered full range loudspeaker, designed to meet all requirements of current and future immersive surround sound formats. Featuring the patented Alcons pro-ribbon driver technology, the CRS8 combines an exceptional clarity and intelligibility with an unusually high dynamic range, offering the most realistic sound reproduction possible.

The CRS8/9090 system consists of the RBN401 pro-ribbon driver for HF and a vented 8” mid-bass for LF reproduction. The CRS8 HF section has an 800W peak power input, enabling a 1:16 dynamic range with up to 90% less distortion from 1kHz. to beyond 20kHz.

The patented (90-degrees) horizontal and patent-pending (90-degrees) vertical dispersion offers a very wide and consistent coverage up to the highest frequencies; Very important for the imaging in height channels of immersive systems.



Due to the “compression-less” principle of the pro-ribbon transducer technology, the system has a fully linear response, with the same tonal balance at all SPL's for an intuitive 1:1 performance.

By utilizing identical MHF components as featured in Alcons' screen systems, a perfect voicing matching between screen- and surround system is realized, resulting in an exceptionally wide and uniform sound stage throughout the entire listening area.

The 10-degree slanted baffle together with the upside-down speaker arrangement and the enclosure design provides for low profile wall or ceiling mounting.

For full system performance, the CRS8 needs to be driven by an ALC controller-amplifier, delivering maximum sound quality with increased headroom and utmost operation reliability. The CRS8 is available in 8

ohms and 4 ohms version, for maximum amplifier efficiency in individually-amplified immersive surround systems.

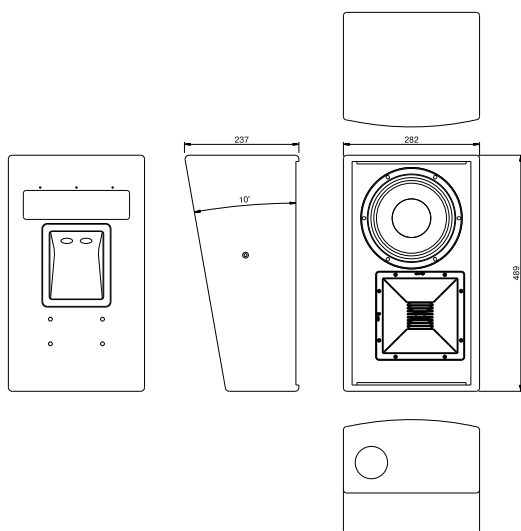
The Signal Integrity Sensing™ pre-wiring ensures complete cable/connector compensation between the CRS8 and ALC, significantly increasing response accuracy, regardless of cable length and system impedance, with tight and accurate mid and bass response as result.

Typical applications include (height layer) immersive surround sound systems for performing arts theaters, screening rooms, post-production facilities and dubbing stages, premium Home Cinemas and quality-conscious PLF cinemas.

The CRS8 is prepared for a universal bracket, with pattern: 4x M6 - 2" x 4.25" (51x108mm).

technical specifications CRS8/9090

dimensional drawing



technical specifications

| | |
|---------------------|---|
| Frequency response | 74 Hz - 20.000 Hz (+/- 3 dB) |
| | 58 Hz - (+/- 10 dB) |
| Sensitivity nominal | 98 dB (8 ohms, 200 Hz - 10 kHz) |
| | 97 dB (4 ohms, 200 Hz - 10 kHz) |
| Nominal impedance | 8 or 4 ohms |
| Recommended drive | Sentinel3 min., max. 3 pcs (8 ohms) / |
| | 1 pce (4 ohms) per channel (2.7 ohms / 4 ohms) |
| Nominal SPL peak | 125 dB (Sentinel3 8 ohms 200 Hz - 10 kHz) |
| | 126 dB (Sentinel3 4 ohms 200 Hz - 10 kHz) |
| | 130 dB (Sentinel10 8 ohms 200 Hz - 10 kHz) |
| | 131 dB (Sentinel10 4 ohms 200 Hz - 10 kHz) |
| Dispersion H x V | 90° x 90° (@ 20 kHz) |

physical specifications

| | | |
|---------------------|--------------------------------|----------|
| System | 2-way, full-range | |
| Filtering | passive | |
| Drivers LF | 1x AMB8 8", vented | |
| Drivers HF | 1x RBN401 4" pro-ribbon driver | |
| Connectors | 2x Speakon NL4 input/link | |
| Physical dimensions | mm | inches |
| | Height | 489 19.1 |
| | Width | 282 11.1 |
| | Depth | 237 9.3 |
| Weight (approx.) | 11,6kg | (25.6lb) |
| Warranty | 6 years limited | |

A: Alcons Audio
De Corantijn 10
1689 AP ZWAAG
The Netherlands

E: info@alconsaudio.com
W: www.alconsaudio.com
T: +31 (0)229 28 30 90