



technical specifications CRS12GT/90

general

- Reference-quality, high output immersive surround sound system
- 1:1 non-compressed linear sound reproduction, under lowest distortion
- Unique voicing match with Alcons pro-ribbon loaded screen systems
- RBN601 pro-ribbon HF driver with exceptional intelligibility and dynamic output
- Very high acoustical output with precise projection and extended low-frequencies
- SIS™ pre-wired for very high damping and further reduced distortion (with ALC)



description

The CRS12GT/90 is a 2-way passive-filtered loudspeaker, designed to meet all requirements of current and future immersive surround sound formats.

Featuring Alcons' patented pro-ribbon driver technology, the CRS12GT/90 combines an exceptional clarity and intelligibility with an unusually high dynamic range and up to 90% less distortion than traditional cinema surround systems.

It offers the most realistic immersive surround sound reproduction possible.

By utilizing identical MHF transducers for screen- and surround systems, an exceptionally wide and uniform sound stage throughout the entire listening area is realized.

The CRS12GT/90 system consists of one RBN601 6" pro-ribbon driver for HF and a vented 12" mid-bass for LF reproduction. The CRS12GT/90 HF section has a 1000 W peak power input, enabling a 1:15 dynamic range with lowest distortion from 1 kHz to beyond 20 kHz. The absence of a "compression threshold", caters for a linear tonal balance at any SPL, while the patented horizontal dispersion of the RBN601 guarantees a very stable sound field throughout the operating bandwidth.

Developed as surround system located closest to the screen channels in immersive surround systems, the 90° horizontal by 40° vertical dispersion, in combination with the 10-degree slanted baffle, the trapezoidal cabinet shape and the upside-down speaker arrangement enables a very precise projection on the critical listening area, preventing wall/ceiling reflections.

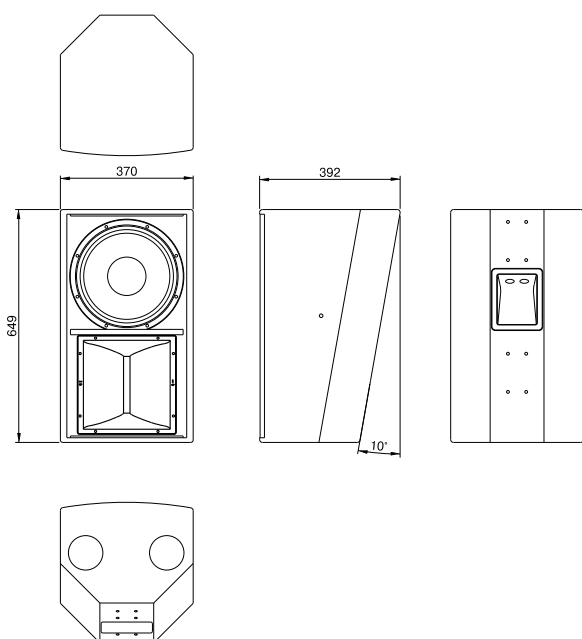
For full system performance, the CRS12GT/90 is to be driven by an ALC controller-amplifier, delivering maximum sound quality with increased headroom and utmost operation reliability. The CRS12GT/90 is available in 8 ohms and 4 ohms version, for maximum amplifier efficiency in individually-amplified immersive surround systems and can be supplied in any RAL™ color for perfect interior blending.

The Signal Integrity Sensing™ pre-wiring ensures complete cable/connector compensation between the CRS12GT/90 and ALC, significantly increasing response accuracy, regardless of cable length and system impedance, with tight and accurate mid and bass response as result.

The CRS12GT is prepared for a universal bracket, with pattern: 4x M8 - 2"x 4.25" (51x108mm).

technical specifications CRS12GT/90

dimensional drawing



technical specifications

| | |
|---------------------|--|
| Frequency response | 66 Hz – 20.000 Hz (+/- 3 dB) |
| | 52 Hz - (+/- 10 dB) |
| Sensitivity nominal | 104 dB (8 ohms, 200 Hz - 10 kHz) |
| | 103 dB (4 ohms, 200 Hz - 10 kHz) |
| Nominal impedance | 8 or 4 ohms |
| Recommended drive | Sentinel3 min., max. 3 pcs (8 ohms) / 1 pce (4 ohms) per channel |
| | (2.7 ohms / 4 ohms) |
| Nominal SPL peak | 129 dB (Sentinel3 8 ohms 200 Hz - 10 kHz) |
| | 131 dB (Sentinel3 4 ohms 200 Hz - 10 kHz) |
| | 135 dB (Sentinel10 8 ohms 200 Hz - 10 kHz) |
| | 136 dB (Sentinel10 4 ohms 200 Hz - 10 kHz) |
| Dispersion H x V | 90° x 40° (40° line-source) |

physical specifications

| | | |
|---------------------|-------------------------------------|----------|
| System | 2-way, full-range | |
| Filtering | passive | |
| Drivers LF | 1x AW12.3ND-8 12" Neodymium, vented | |
| Drivers HF | 1x RBN601 6" pro-ribbon driver | |
| Connectors | 2x Speakon NL4 input/link | |
| Physical dimensions | mm | inches |
| | Height | 649 25.6 |
| | Width | 370 14.6 |
| | Depth | 392 15.4 |
| Weight (approx.) | 18.6 kg | 41.0 lb |
| Warranty | 6 years limited | |

A: Alcons Audio
De Corantijn 10
1689 AP ZWAAG
The Netherlands

E: info@alconsaudio.com
W: www.alconsaudio.com
T: +31 (0)229 28 30 90