



# technical specifications CRMSC-SRHV/90

## general

- Reference-quality high-resolution audio ready surround sound system
- Unique voicing match with Alcons pro-ribbon loaded screen systems
- 1:1 non-compressed sound reproduction, with up to 90% less distortion
- RBN202 pro-ribbon HF driver with exceptional intelligibility and dynamic output
- SIS pre-wired for very high damping and further reduced distortion (with ALC)
- Patented horizontal and patent-pending vertical dispersion



## description

The CRMSC-SRHV surround is a 2-way passive-filtered full range loudspeaker, designed to meet all requirements of current and future cinema surround sound formats.

Featuring the patented Alcons pro-ribbon driver technology, the CRMSC-SRHV surround combines an exceptional clarity and intelligibility with an unusually high dynamic range, offering the most realistic sound reproduction possible.

The CRMSC-SRHV system consists of one RBN202 pro-ribbon driver for HF and a vented 6.5" mid-bass for LF reproduction. The CRMSC-SRHV/90 HF section has an 500 W peak power input, enabling a 1:16 dynamic range with up to 90% less distortion from 1 kHz to beyond 20 kHz.

The patent-pending 90-degrees and patented 60-degrees dispersion offers a wide and consistent coverage to a larger number of seats in the auditorium; Due to the

“compression-less” principle of the pro-ribbon transducer, the system has a linear response at any SPL.

The revolable RBN waveguide and trapezoidal enclosure together with the optional grill and ACO™ color option, provides for easy, low profile wall or ceiling mounting.

For full system performance, the CRMSC-SRHV needs to be driven by an ALC controller-amplifier, delivering maximum sound quality with increased headroom and utmost operation reliability.

The Signal Integrity Sensing™ pre-wiring ensures complete cable/connector compensation between the CRMSC-SRHV and ALC, significantly increasing response accuracy, regardless of cable length and system impedance, with tight and accurate mid and bass response as result.

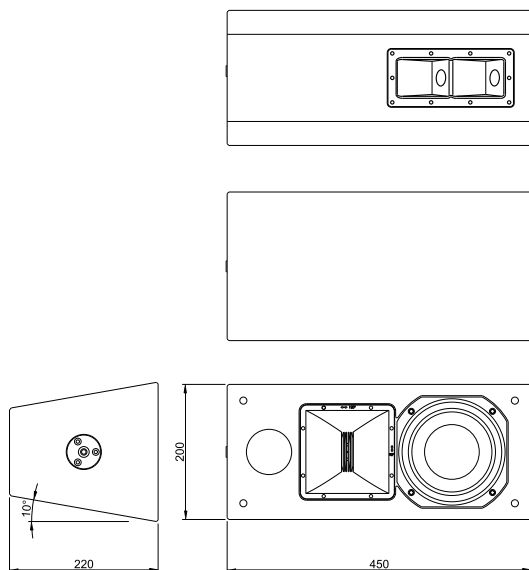
The CRMSC-SRHV system is available with 90° x 60° (“CRMSC-SRHV/90”) or 120° x 90° (“CRMSC-SRHV/120”) dispersion pattern.

Typical applications include surround sound system

for premium Home Cinemas, high-end mix/screening rooms, quality-conscious post-production facilities and dubbing stages. As a result of Alcons' tight manufacturing standards, all system cabinets are within “matched pair” tolerance.

## technical specifications CRMSC-SRHV/90

### dimensional drawing



### technical specifications

Frequency response	66 Hz - 20.000 Hz (+/- 3 dB)
	54 Hz - (+/- 10 dB)
Sensitivity nominal	97 dB (200 Hz - 10 kHz)
Nominal impedance	4 ohms or 8 ohms
Recommended drive	Sentinel3 min., max. 3 pcs. per channel (2.7 ohms)
Nominal SPL peak	122 dB (Sentinel3 200 Hz - 10 kHz)
	128 dB (Sentinel10 200 Hz - 10 kHz)
Dispersion H x V	90° x 60° (@ 20 kHz)

### physical specifications

System	2-way, full-range	
Filtering	passive	
Drivers LF	1x AMB6.5 6.5", vented	
Drivers HF	1x RBN202rs 2" pro-ribbon driver	
Connectors	2x Speakon NL4 input/link	
Physical dimensions	mm	inches
Height	200	7.9
Width	450	17.7
Depth	220	8.7
Weight (approx.)	7,5kg	16.5lb
Warranty	6 years limited	

A: Alcons Audio  
De Corantijn 10  
1689 AP, ZWAAG  
The Netherlands

E: [info@alconsaudio.com](mailto:info@alconsaudio.com)  
W: [www.alconsaudio.com](http://www.alconsaudio.com)  
T: +31 (0)229 28 30 90