



technical specifications CRMS-SRHV/9090

general

- Reference-quality high-resolution audio ready immersive sound system
- Unique voicing match with Alcons pro-ribbon loaded screen systems
- 1:1 non-compressed sound reproduction, with up to 90% less distortion
- RBN401 pro-ribbon HF driver with exceptional intelligibility and dynamic output
- SIS pre-wired for very high damping and further reduced distortion (with ALC)
- Patented horizontal and patent-pending vertical dispersion



description

The CRMS-SRHV surround is a 2-way passive-filtered full range loudspeaker, designed to meet all requirements of current and future immersive surround sound formats.

Featuring the patented Alcons pro-ribbon driver technology, the CRMS-SRHV combines an exceptional clarity and intelligibility with an unusually high dynamic range, offering the most realistic sound reproduction possible.

Due to the “compression-less” principle of the pro-ribbon transducer, the system has a linear response at any SPL.

The CRMS-SRHV system consists of the RBN401 pro-ribbon driver for HF and a vented 8” mid-bass for LF reproduction. The CRMS-SRHV/9090 HF section has an 800 W peak power input, enabling a 1:15 dynamic range with up to 90% less distortion from 1 kHz to beyond 20 kHz.

The patented (90-degrees) horizontal and patent-pending (90-degrees) vertical dispersion offers a very wide and consistent coverage up to the highest frequencies; Very important for the seamless imaging in height channels of immersive systems.

The CRMS-SRHV is designed as matching (height layer) surround system for the CRMS system: By utilizing identical MHF components, a perfect voicing matching between screen- and surround system is realized, resulting in an exceptionally wide and uniform sound stage throughout the entire listening area.

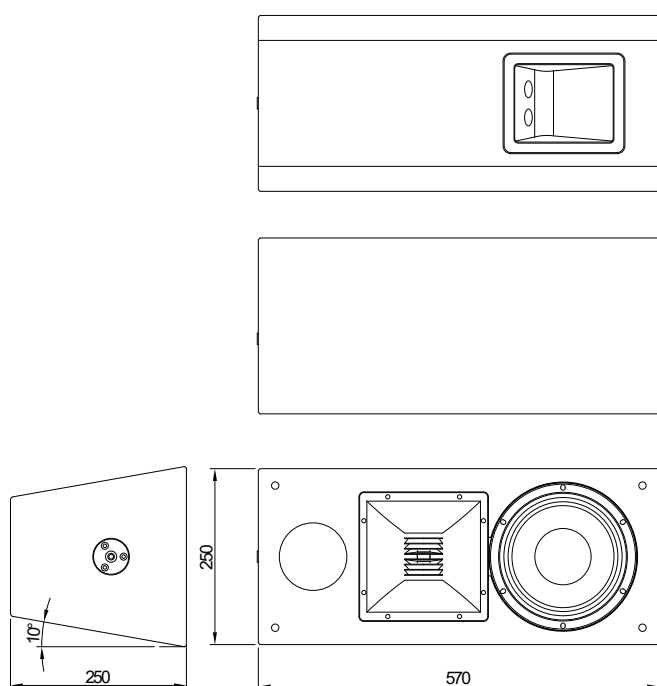
The revolvable RBN waveguide and trapezoidal enclosure together with the optional grill and ACO™ color option, provides for easy, low profile wall or ceiling mounting.

For full system performance, the CRMS-SRHV needs to be driven by an ALC controller-amplifier, delivering maximum sound quality with increased headroom and utmost operation reliability. The system is available in 8 ohms and 4 ohms version, for maximum amplifier efficiency in individually-amplified immersive surround systems.

The Signal Integrity Sensing™ pre-wiring ensures complete cable/connector compensation between the CRMS-SRHV and ALC, significantly increasing response accuracy, regardless of cable length and system impedance, with tight and accurate mid and bass response as result.

technical specifications CRMS-SRHV/9090

dimensional drawing



technical specifications

Frequency response	74 Hz - 20.000 Hz	(+/- 3 dB)
	58 Hz -	(+/- 10 dB)
Sensitivity nominal	99 dB (8 ohms, 200 Hz - 10 kHz)	
	97 dB (4 ohms, 200 Hz - 10 kHz)	
Nominal impedance	8 or 4 ohms	
Recommended drive	Sentinel3 min., max. 3 pcs (8 ohms)	
	1 pce (4 ohms) per channel (2.7 ohms / 4 ohms)	
Nominal SPL peak	125 dB (Sentinel3 8 ohms 200 Hz - 10 kHz)	
	123 dB (Sentinel3 4 ohms 200 Hz - 10 kHz)	
	130 dB (Sentinel10 8 ohms 200 Hz - 10 kHz)	
	129 dB (Sentinel10 4 ohms 200 Hz - 10 kHz)	
Dispersion H x V	90° x 90° (@20 kHz)	

physical specifications

System	2-way, full-range	
Filtering	passive	
Drivers LF	1x AMB8 8", vented	
Drivers HF	1x RBN401 4" pro-ribbon driver	
Connectors	2x Speakon NL4 input/link	
Physical dimensions	mm	inches
	Height	250
Width	570	22.4
Depth	250	9.8
Weight (approx.)	kg	lb
	12,5	27.6
Warranty	6 years limited	

A: Alcons Audio
De Corantijn 10
1689 AP, ZWAAG
The Netherlands

E: info@alconsaudio.com
W: www.alconsaudio.com
T: +31 (0)229 28 30 90