



technical specifications CRMS SR

general

- Reference-quality Digital Cinema ready surround sound system
- Unique voicing match with Alcons pro-ribbon loaded screen systems
- 1:1 non-compressed sound reproduction, with up to 90% less distortion
- RBN401 pro-ribbon HF driver with exceptional intelligibility and dynamic output
- SIS pre-wired for very high damping and further reduced distortion (with ALC)
- Patented “Real-90” horizontal dispersion



description

The CRMS-SR surround is a 2-way passive-filtered full range loudspeaker, designed to meet all requirements of current and future cinema surround sound formats.

Featuring the patented Alcons pro-ribbon driver technology, the CRMS-SR surround combines an exceptional clarity and intelligibility with an unusually high dynamic range, offering the most realistic sound reproduction possible.

The CRMS-SR system consists of one RBN401 pro-ribbon driver for HF and a vented 8” mid-bass for LF reproduction. The CRMS SR HF section has an 800 W peak power input, enabling a 1:16 dynamic range with up to 90% less distortion from 1 kHz to beyond 20 kHz.

The patented horizontal dispersion of the RBN401 offers a stable coverage to a larger number of seats in the auditorium; Due to the “compression-less”

principle of the pro-ribbon transducer, the system has a linear response at any SPL.

The CRMS-SR is designed as matching surround system for the CRMS system: By utilizing identical MHF components, a perfect voicing matching between screen- and surround system is realized, resulting in an exceptionally wide and uniform sound stage throughout the entire listening area.

The 10-degree slanted enclosure baffle together with the optional grill and ACO™ color option, provides for easy, low profile wall mounting.

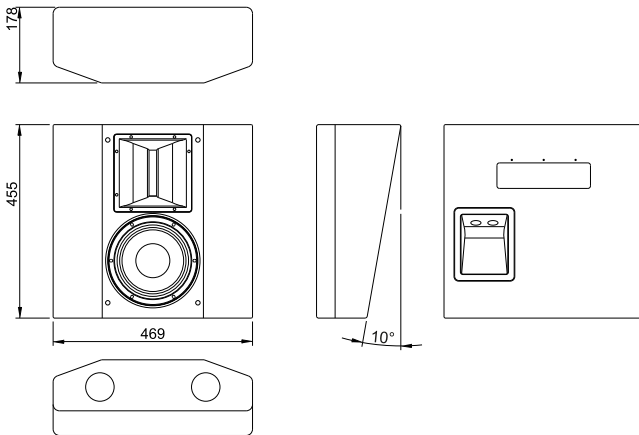
For full system performance, the CRMS SR needs to be driven by an ALC controller-amplifier, delivering maximum sound quality with increased headroom and utmost operation reliability.

The Signal Integrity Sensing™ pre-wiring ensures complete cable/connector compensation between the CRMS SR and ALC, significantly increasing response accuracy, regardless of cable length and system impedance, with tight and accurate mid and bass response as result.

Typical applications include surround sound system for premium Home Cinemas, high-end mix/screening rooms, quality-conscious post-production facilities and dubbing stages. As a result of Alcons' tight manufacturing standards, all system cabinets are within "matched pair" tolerance.

technical specifications CRMS SR

dimensional drawing



technical specifications

Frequency response	74 Hz - 20.000 Hz	(+/- 3 dB)
	58 Hz -	(+/-10 dB)
Sensitivity nominal	103 dB (200 Hz - 10 kHz)	
Nominal impedance	4 ohms or 8 ohms	
Recommended drive	Sentinel3 min., max. 3 pcs. per channel (2.7 ohms)	
Nominal SPL peak	129 dB (Sentinel3 200 Hz - 10 kHz)	
	134 dB (Sentinel10 200 Hz - 10 kHz)	
Dispersion	H 90° (@ 20 kHz) x V 40° (line-source)	

physical specifications

System	2-way, full-range	
Filtering	passive	
Drivers LF	1x AMB8 8", vented	
Drivers HF	1x RBN401 4" pro-ribbon driver	
Connectors	2x Speakon NL4 input/link	
Physical dimensions	mm	inches
	Height	455 17.9
	Width	469 18.5
Depth	178	7.0
Weight (approx.)	13,2 kg	29.1 lb
Warranty	6 years limited	

A: Alcons Audio B.V
De Corantijn 10
1689 AP ZWAAG
The Netherlands

E: info@alconsaudio.com
W: www.alconsaudio.com
T: +31 (0)229 28 30 90