



technical specifications CRA24WX

general

- Modular, scalable screen system for medium to larger cinema rooms
- RBN pro-ribbon HF section with exceptional intelligibility, throw and high SPL output
- Adjustable precise projection for flat SPL room coverage
- 1:1 non-compressed linear response, with up to 90% less distortion
- System design enables assembly of wide vertical coverage arrays
- SIS™ pre-wired for very high system damping and further reduced distortion



description

The Cinemarray™ CRA24 is a 3-way sound system, designed for Digital Cinema applications where maximum quality cinema sound reproduction with perfect coverage is needed, in medium to larger premium cinema theatres.

Featuring two patented RBN401 pro-ribbon drivers, the CRA24 combines a remarkable clarity and intelligibility, with a “non-compressed” linear response at any SPL. With up to 90% less distortion and a very high 1600W peak power handling, the HF section allows maximum screen compensation without any audible stress on the driver.

The patented horizontal dispersion extends the stereo-imaging to a larger number of seats in the auditorium.

By implementing line-source technology throughout the entire system, a flat SPL coverage from front to rear is realized, with the “proximity” effect dramatically improving the cinema experience for the audience further away from the screen. The precise projection also minimizes unwanted acoustical reflections.

The CRA24WX driver arrangement consists of a double RBN401 pro-ribbon HF driver array, two vented 6.5” mid-range drivers and two vented 12” woofers with 3” voice-coil design for LF reproduction.

The enclosure design enables assembly of wide vertical coverage arrays (multiple CRA24WX only), or as under-fill in mixed arrays (CRA24WX under CRA24N array).

The Cinemarray™ system is powered by an ALC Sentinel amplifier loudspeaker controller, offering system dedicated processing, optimisation and protection in factory presets for maximum sound quality and utmost operation reliability.

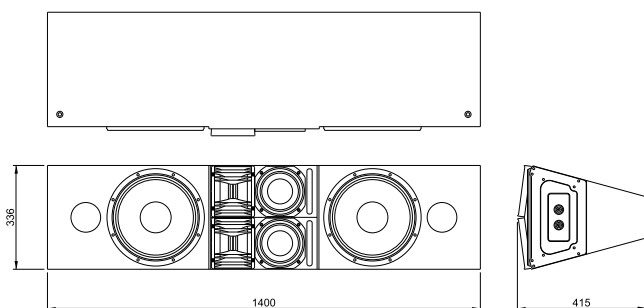
The Signal Integrity Sensing™ pre-wiring ensures complete cable/connector compensation between the CRA24WX and ALC, significantly increasing response accuracy, regardless of cable length and system impedance, with tight and accurate mid and bass response as result.

The CRA24 comes in three versions: the CRA24N (“narrow”) has a smaller vertical projection pattern for the seats further away, whereas the CRA24W (“wide”) features a wider vertical coverage pattern for the seats closer to the screen, serving as single under-fill of an CRA24N array; The CRA24WX (“wide extended”) is the CRA24W, but with extended curving capability, enabling assembly of multiple CRA24WX in one array.

The CRA24WX is available with 90-degrees and 120-degrees horizontal dispersion (as CRA24WX/90 and CRA24WX/120)

technical specifications CRA24WX

dimensional drawing



technical specifications

Frequency response	50 Hz - 20.000 Hz	(+/- 3 dB)
	39 Hz -	(+/- 10 dB)
Sensitivity nominal	105 dB (200 Hz - 10 kHz)	
Nominal impedance	LF 8 ohms, MF/HF 8 ohms	
Recommended drive	Sentinel3 min., max. 2 pcs. per channel (4 ohms)	
Nominal SPL peak	134 dB (Sentinel3 200 Hz - 10 kHz)	
	139 dB (Sentinel10 200 Hz - 10 kHz)	
Dispersion H x V (array)	90° x array length dependent (CRA24WX/90)	
	120° x array length dependent (CRA24WX/120)	
Dispersion H x V (single)	90° x 30° (@ 10 kHz) (CRA24WX/90)	
	120° x 30° (@ 10 kHz) (CRA24WX/120)	

physical specifications

System	3-way, full range	
Filtering	LF active, MF/HF passive	
Drivers LF	2x AW12.3ND-8 12", vented	
Drivers MF	2x AM65ND-16 6.5", vented	
Drivers HF	2x RBN401 4" pro-ribbon driver	
Connectors	2x Speakon NL8 input/link	
Physical dimensions	mm	inches
Height	336	13.2
Width	1400	55.1
Depth	415	16.3
Weight (approx.)	kg	lb
	41	90,2
Warranty	6 years limited	

A: Alcons Audio
De Corantijn 10
1689 AP ZWAAG
The Netherlands

E: info@alconsaudio.com
W: www.alconsaudio.com
T: +31 (0)229 28 30 90