



# Spec Sheet

## LVX 15

2-Way Active Speakers  
12" / 1", 800W PRG **DIGIPRO**



### Applications

- Live sound
- Stage Monitoring
- Portable and installed audio-visual systems
- Clubs, ballrooms, houses of worship, Museums and Theatres

### Features

- 2-Way Active Speakers
- 800W Class-D Digipro® amplifier
- 15" woofer (2" voice coil)
- 1" compression driver
- 90° x 40° directivity
- Rotatable Compr. Driver Horn
- AD/DA 24 bit \ 48 kHz
- EQ presets selection
- Peak, RMS, Thermal Limiter
- 12x M10 Rigging points
- No Cooling Fan

### Description

LVX active loudspeakers series is the answer to all those fixed installations and live music requirements where sound reinforcement systems must be lightweight, stylish, portable, powerful and in line with the highest professional standards.

Coming from the experience gained in designing touring products as the renowned DVX series, the new LVX series offers smart solutions with a special attention to the needs of fixed and portable installations.

The voicing of these speakers is very linear and designed to for any audio content, such as speech, background or live music, multimedia contents, etc., respecting their characteristics without problems and with a high level of

performance.

LVX 15 features a 15" woofer and a 1" compression driver on a 90° x 40° rotatable horn. This last feature is particularly valued even in case of use as stage monitor, thanks to the rear angle of 45°.

The LVX 12 is equipped with a 800W DIGIPRO® digital amp module. This highly efficient amplifier provides high power, limited weight and is totally silent due to the low thermal dissipation and no cooling fans required.

The digital preamp with DSP controls audio crossover, frequency response, active peak-RMS-thermal limiter, and acoustic alignment. A selector enables to select one of two different EQ curves - "FLAT" or "PROCESSED" - to provide the right sound in any occasion.

The enclosure is made of robust 12mm plywood with a look very elegant and refined. The scratch-resistant finishes are available in both black and white. There are three handles (one on top; two on sides), 12x M10 rigging points and a Ø36mm pole mount cup to allow this speaker to be used in any kind of installation or gigs.

In case of installation where you want to keep as much as possible a stylish and sober look, a kit of handle-caps is available to cover the handles and keep surfaces as linear as possible.

Finally, there are two types of wall-mounting brackets; one with pan-tilt adjustment and fixed locking system, the other with even quick-release pins, ideal for all those events where you need to frequently remove the speaker without losing the exact mechanical positioning.

# LVX 15

## Technical Specifications

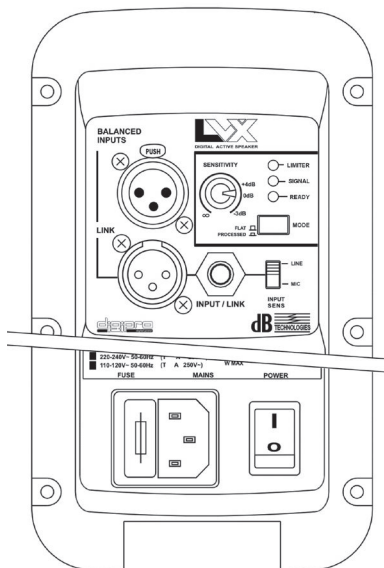
### Technical Data

Speaker Type	2-Way Active Speaker
<b>Acoustical data</b>	
Frequency Response [- 10dB]	49 - 20.000 Hz
Frequency Response [- 6dB]	54 - 19.000 Hz
Max SPL	128 dB
HF	1"
HF Voice Coil	1"
Type HF	Compression driver
Directivity	90 x 40°
Rotatable Horn	YES
LF	LF: 15"
LF Voice Coil	2"
<b>Amplifier</b>	
Amp Technology	Digipro®
Amp Class	Class-D
Power PRG	800 W
Power Peak	1600 W
<b>Processor</b>	
Controller	DSP 56 bit
AD/DC Converter	24bit/48kHz
System Presets	Flat, Processed
Limiter	Peak, RMS, Thermal
Crossover Frequency LF-HF	1800 Hz
Slope MF-HF	24 dB/Octave
<b>Rear Panel</b>	
Audio Input / Link	1 x XLR female - balanced / 1 x XLR male - balanced 1 x jack 1/4" – balanced
Power Connections	VDE Mains Socket with Fuse 1x Power On/Off switch
Controls	1 x EQ Preset switch 1 x Volume knob 1 x Mic/Line Input sensitivity switch 3 x LED (Limiter, Signal, Ready)
<b>Mechanics</b>	
Housing	Multiplex
Angles Up	Monitor use 45°
Handles	3 (1x top side, 2 on sides)
Rigging points	12 x M10
Pole mount	D36 mm
Width	430 mm (16.93 in)
Height	680 mm (26.77 in)
Depth	430 mm (16.93 in)
Weight	20.7 kg (45.64 lbs.)

# LVX 15

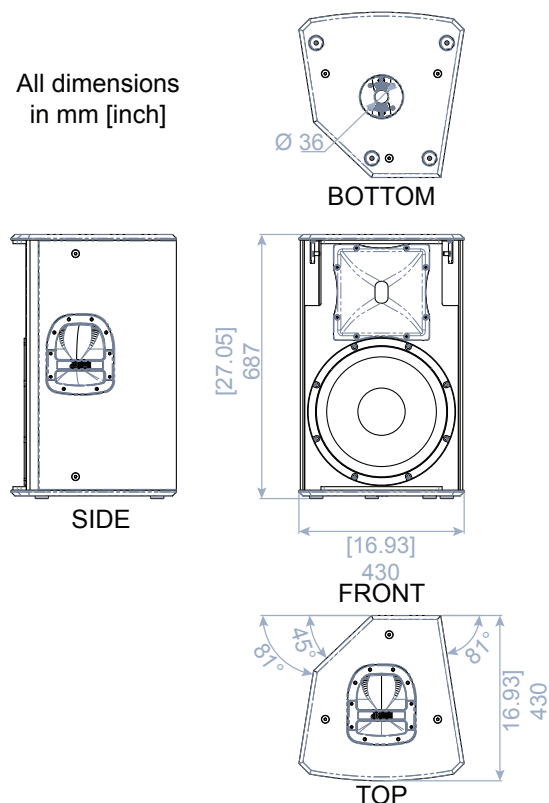
## Technical Specifications

### Rear Panel



### Overall Dimensions

All dimensions in mm [inch]



### Accessories

WB-L15H	Horizontal wall mounting bracket for LVX 15
WB-L15V	Vertical wall mounting bracket for LVX 15

[info@dbtechnologies.com](mailto:info@dbtechnologies.com) [www.dbtechnologies.com](http://www.dbtechnologies.com)

dBTechnologies products are continually improved. All specifications are therefore subject to change without notice.