



Spec Sheet

LVX 12

2-Way Active Speakers
12" / 1", 800W PRG **DIGIPRO**



Applications

- Live sound
- Stage Monitoring
- Portable and installed audio-visual systems
- Clubs, ballrooms, houses of worship, Museums and Theatres

Features

- 2-Way Active Speakers
- 800W Class-D Digipro® amplifier
- 12" woofer (2" voice coil)
- 1" compression driver
- 90° x 40° directivity
- Rotatable Compr. Driver Horn
- AD/DA 24 bit \ 48 kHz
- EQ presets selection
- Peak, RMS, Thermal Limiter
- 12x M10 Rigging points
- No Cooling Fan

Description

LVX active loudspeakers series is the answer to all those fixed installations and live music requirements where sound reinforcement systems must be lightweight, stylish, portable, powerful and in line with the highest professional standards.

Coming from the experience gained in designing touring products as the renowned DVX series, the new LVX series offers smart solutions with a special attention to the needs of fixed and portable installations.

The voicing of these speakers is very linear and designed to for any audio content, such as speech, background or live music, multimedia contents, etc., respecting their characteristics

without problems and with a high level of performance.

LVX 12 features a 12" woofer and a 1" compression driver on a 90° x 40° rotatable horn. This last feature is particularly valued even in case of use as stage monitor, thanks to the rear angle of 45°.

The LVX 12 is equipped with a 800W DIGIPRO® digital amp module. This highly efficient amplifier provides high power, limited weight and is totally silent due to the low thermal dissipation and no cooling fans required.

The digital preamp with DSP controls audio crossover, frequency response, active peak-RMS-thermal limiter, and acoustic alignment. A selector enables to select one of two different EQ curves - "FLAT" or "PROCESSED" - to provide the right sound in any occasion.

The enclosure is made of a 12mm MDF with a look very elegant and refined. The scratch-resistant finishes are available in both black and white. There are three handles (one on top; two on sides), 12x M10 rigging points and a Ø36mm pole mount cup to allow this speaker to be used in any kind of installation or gigs.

In case of installation where you want to keep as much as possible a stylish and sober look, a kit of handle-caps is available to cover the handles and keep surfaces as linear as possible.

Finally, there are two types of wall-mounting brackets; one with pan-tilt adjustment and fixed locking system, the other with even quick-release pins, ideal for all those events where you need to frequently remove the speaker without losing the exact mechanical positioning.

LVX 12

Technical Specifications

Technical Data

Speaker Type	2-Way Active Speaker
--------------	----------------------

Acoustical data

Frequency Response [- 10dB]	55 - 20.000 Hz
-----------------------------	----------------

Frequency Response [- 6dB]	62 - 19.000 Hz
----------------------------	----------------

Max SPL	127 dB
---------	--------

HF	1"
----	----

HF Voice Coil	1"
---------------	----

Type HF	Compression driver
---------	--------------------

Directivity	90 x 40°
-------------	----------

Rotatable Horn	YES
----------------	-----

LF	LF: 12"
----	---------

LF Voice Coil	2"
---------------	----

Amplifier

Amp Technology	Digipro®
----------------	----------

Amp Class	Class-D
-----------	---------

Power PRG	800 W
-----------	-------

Power Peak	1600 W
------------	--------

Processor

Controller	DSP 56bit
------------	-----------

AD/DA Converter	24bit/48kHz
-----------------	-------------

System Presets	Flat, Processed
----------------	-----------------

Limiter	Peak, RMS, Thermal
---------	--------------------

Crossover Frequency LF-HF	1800 Hz
---------------------------	---------

Slope MF-HF	24 dB/Octave
-------------	--------------

Rear Panel

Audio Input / Link	1 x XLR female - balanced / 1 x XLR male - balanced
--------------------	---

	1 x jack 1/4" – balanced
--	--------------------------

Power Connections	VDE Mains Socket with Fuse 1x Power On/Off switch
-------------------	--

Controls	1 x EQ Preset switch 1 x Volume knob 1 x Mic/Line Input sensitivity switch 3 x LED (Limiter, Signal, Ready)
----------	--

Mechanics

Housing	Multiplex
---------	-----------

Angles Up	Monitor use 45°
-----------	-----------------

Handles	3 (1x top side, 2 on sides)
---------	-----------------------------

Rigging points	12 x M10
----------------	----------

Pole mount	D36 mm
------------	--------

Width	360 mm (14.17 in)
-------	-------------------

Height	610 mm (24.02 in)
--------	-------------------

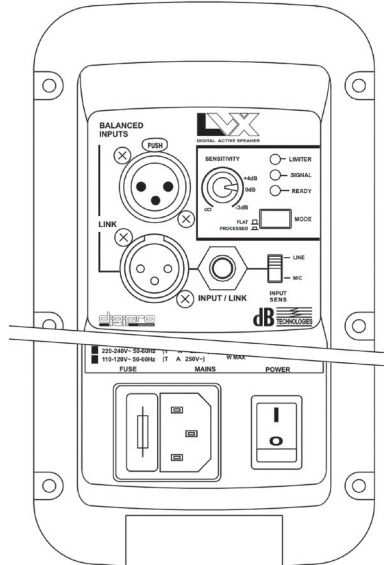
Depth	360 mm (14.17 in)
-------	-------------------

Weight	17.0 kg (37.48 lbs.)
--------	----------------------

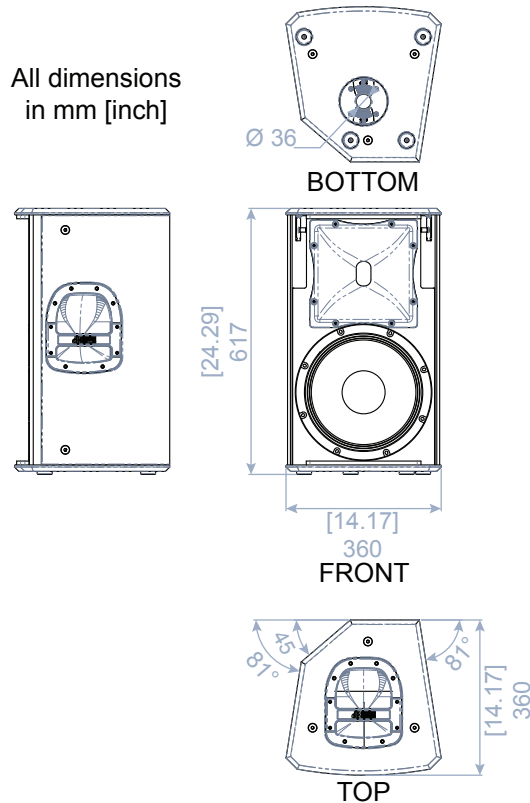
LVX 12

Technical Specifications

Rear Panel



Overall Dimensions



Accessories

WB-L12H	Horizontal wall mounting bracket for LVX 12
WB-L12V	Vertical wall mounting bracket for LVX 12

info@dbtechnologies.com www.dbtechnologies.com

dBTechnologies products are continually improved. All specifications are therefore subject to change without notice.